



**WECHAT**



**WEB**

# Welcome to HEARKEN

## Actuators and Controls



### The Trusted, Passionate and focused Partner in Valve Automation

At HEARKEN FLOW, The founding principle of Hearkenflow is simple: to Listen our customers needs first, to develop the innovative valve actuators solutions , to meet the unique needs of our customers, Along the way, To help our customers to solve the problems in Valve Automation. We are growing our brand in Pneumatic and Electric Actuators, Accessories..



Experienced team



Large inventory



Convenient consultation



### WHY WE ARE DIFFERENT

We offer a complete valve automation solution by the applications experience and customization capabilities, with an experienced support team to guide you in selection, installation, and project support. In addition we maintain an extensive supply of product inventory on hand so that we can quickly fulfill orders and reduce wait times. Our sales and support staff are readily available and accessible so that customers get the answers they need quickly.

### THE TARGET WE ARE PURSUING



High-quality



low cost



Reliable solution

- To built A strong Reputation in Providing Quality, Cost Effective , Reliable And Robust Performance Solutions for Valve Automation,
- Included Pneumatic Actuators, Electrically Actuators, Actuated Valves.



### COMMITMENT TO QUALITY

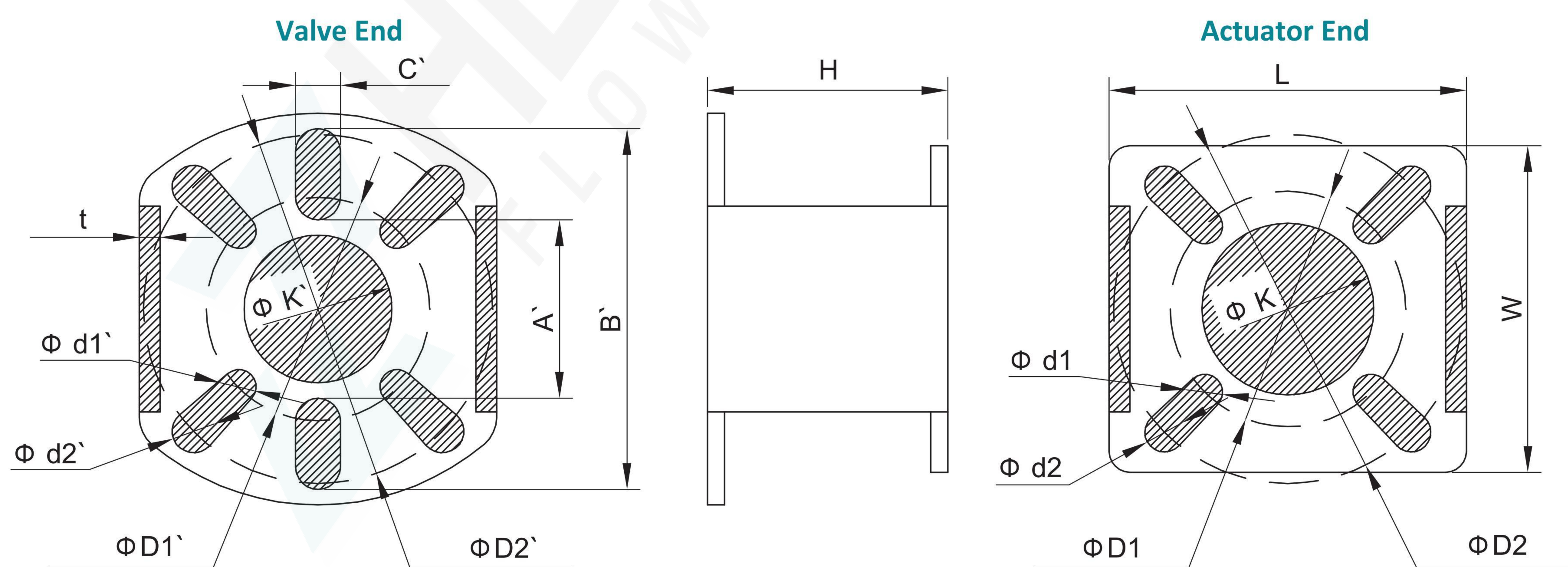
At HEARKEN FLOW means performance, All products manufactured by HEARKEN FLOW are warranted against defects in material and workmanship for a period of 18 months from the day of startup. Each of our products are tested at the factory. we are confident that our products meet or exceed all applicable standards before they ever leave our facility. We are an ISO 9001-2008 certified company. Our Valve Actuators Has Applied for SIL3 Certificate, ATEX Certificate ,CE,Explosion-proof Certificate, IP68 Weather proof etc....



# Pneumatic Ball Valve Carbon Steel Bracket

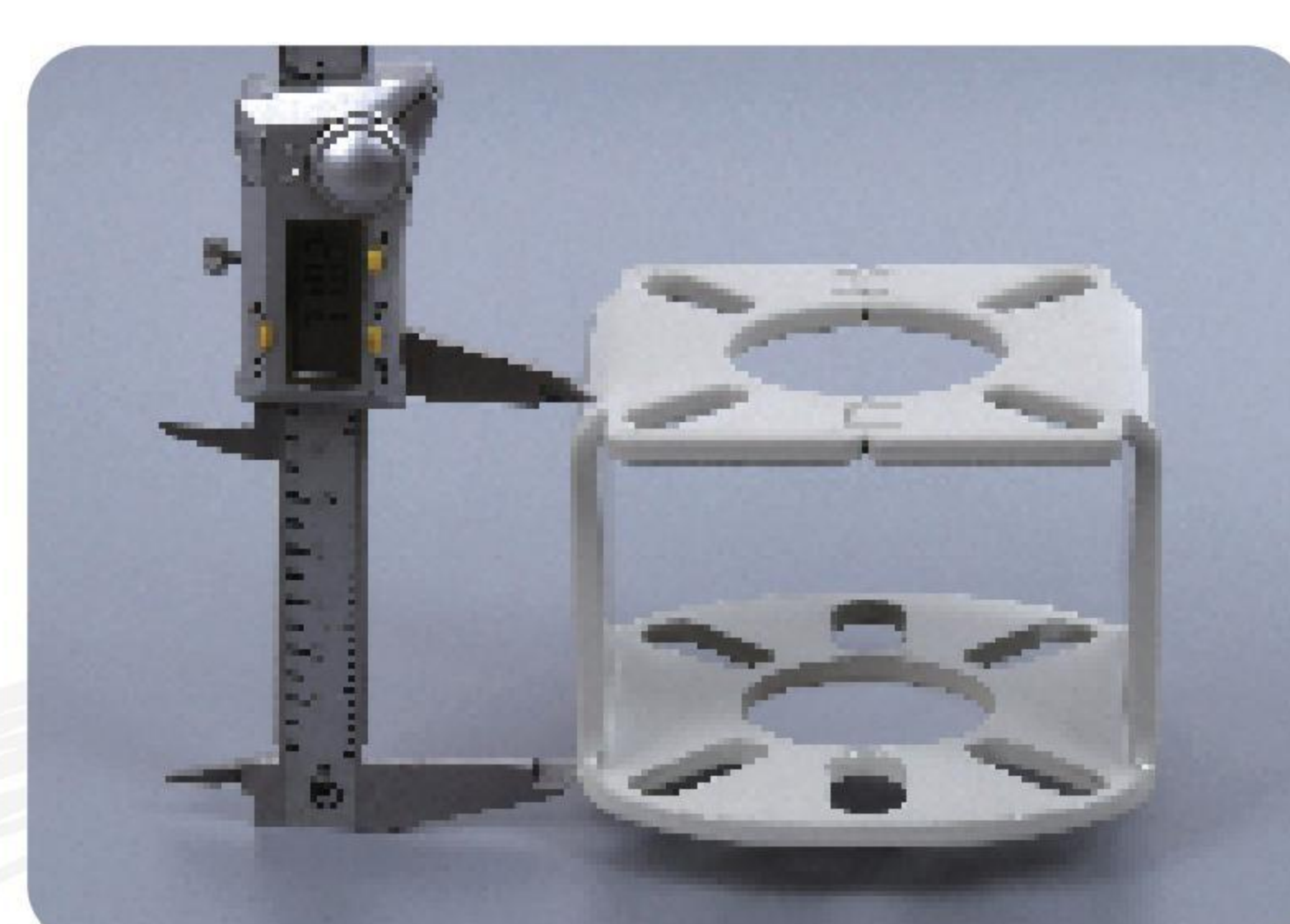


## Dimension in mm



No.	Model	Suitable for Ball Valve Model	H	t	Valve End							Actuator End							Weight (Kg)	
					Φ K'	Φ D1'	Φ D2'	Φ d1'	Φ d2'	A'	B'	C'	Φ K'	Φ D1'	Φ D2'	Φ d1'	Φ d2'	L		W
1	1# (Bending Type)	DN15/20/25	48	4	26	36	50	6	7	32	58	8.5	26	36	50	6	7	62	51	0.22
2	1.5# (Bending Type)	DN32	54	4	29	45	60	7	7	34	66	10	30	45	60	7	7	64	58	0.28
3	2# (Bending Type)	DN40/50	62	4	32	50	70	7.5	9.5	39	79	10	35	50	70	7.5	9.5	78	70	0.41
4	2.5# (Bending Type)	DN65	66	5	40	60	70	11	11	49	86	13	40	/	70	/	10	84	72	0.47
5	3# (Bending Type)	DN65/80/100	72	5	43	65	102	11	12	49	101	13	43	70	102	9	11	105	95	0.83
6	4# (Welding Type)	DN125/150	90	6	57	80	110	12	14	67	124	14	62	102	140	11	17	140	130	1.6
7	4.5# (Welding Type)	DN125/150	100	8	57	80	110	12	14	67	124	14	62	102	140	11	17	140	130	1.9
8	5# (Welding Type)	DN200	100	10	67	94	130	15	17	78	147	16	67	102	165	11	21	155	130	2.9

## Key dimension Selection



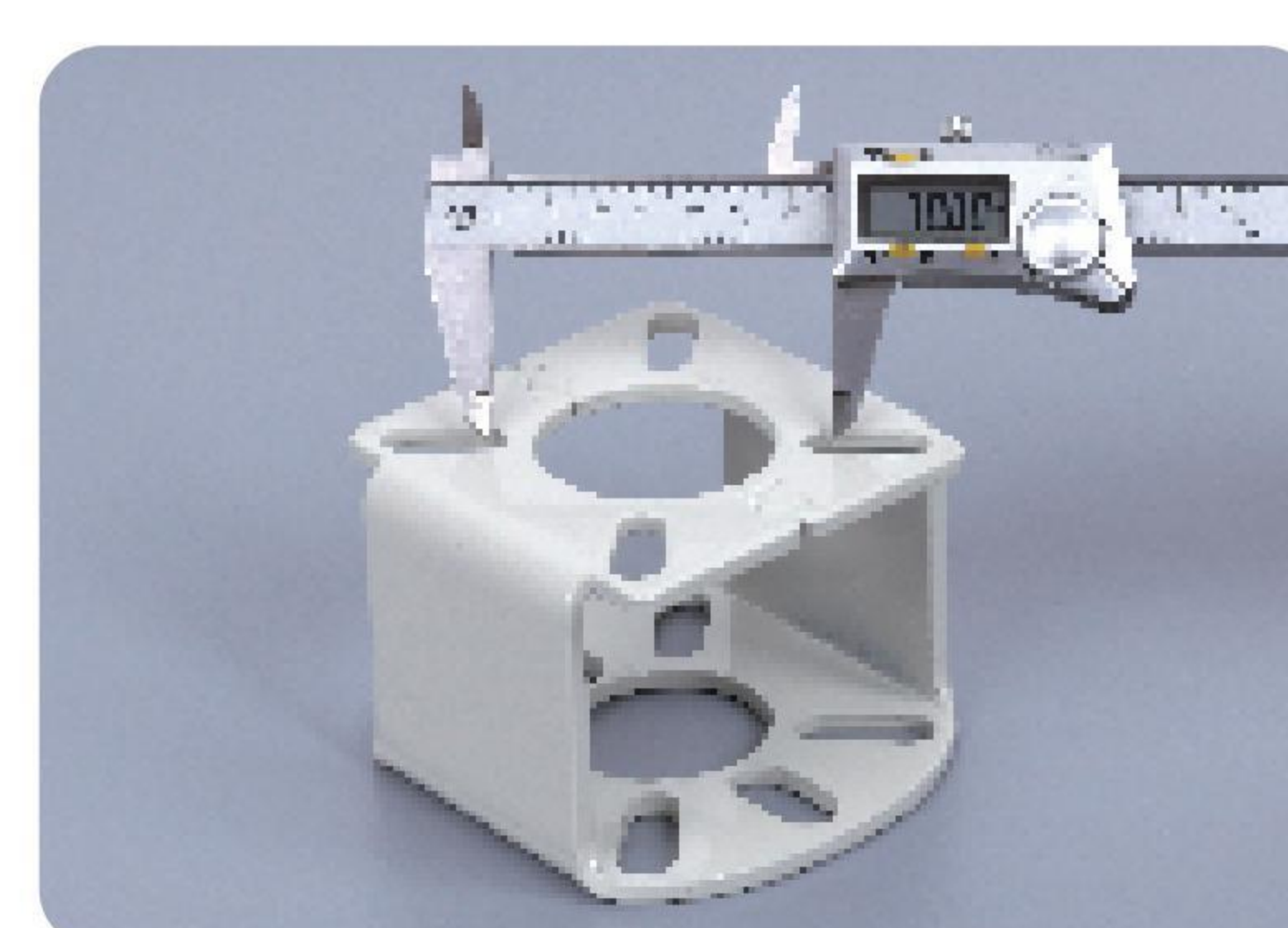
H Height



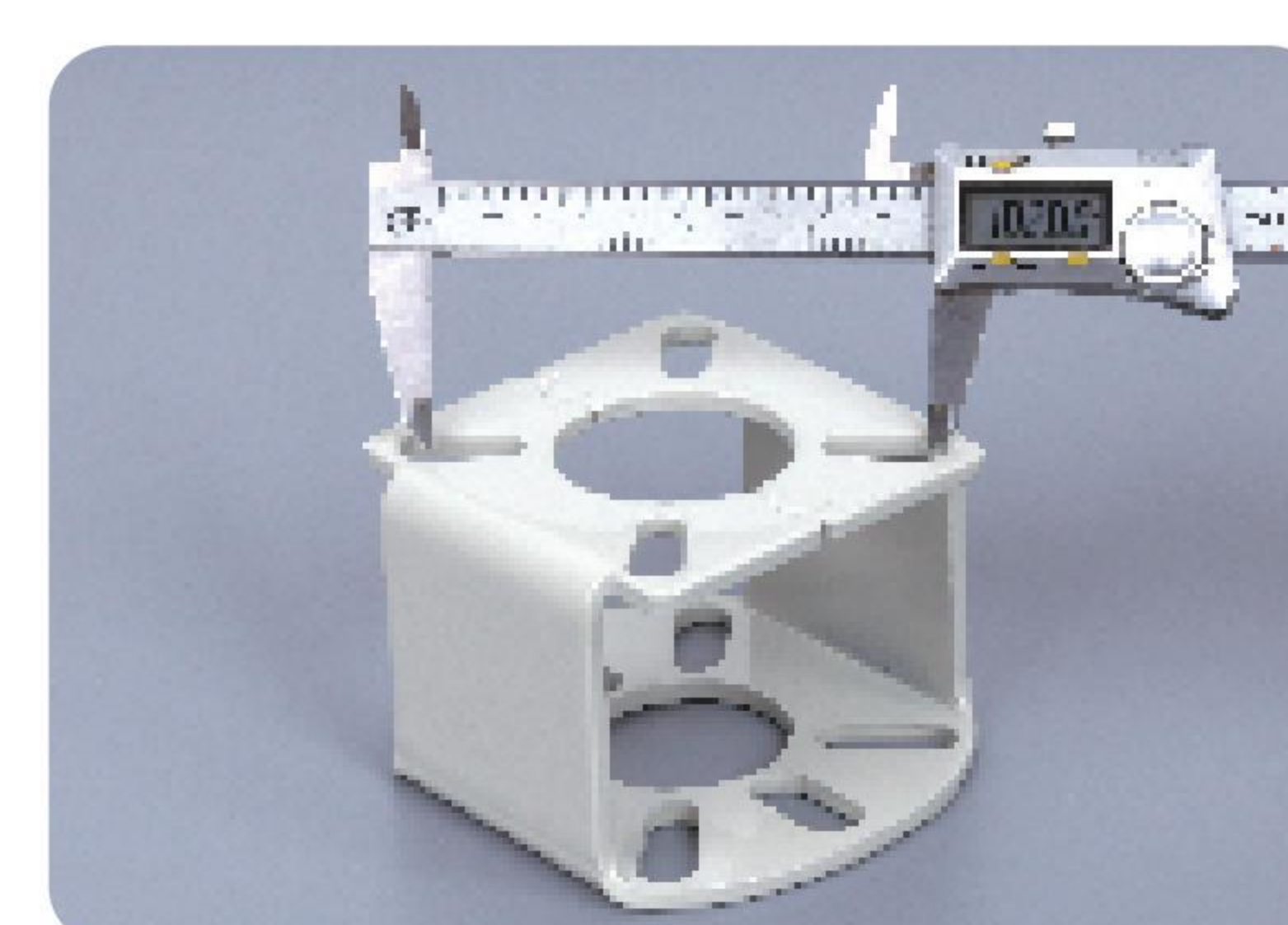
A' Min mounting hole position of valve



B' Max mounting hole position of valve



Φ D1 Min mounting hole position of actuator



Φ D2 Max mounting hole position of actuator

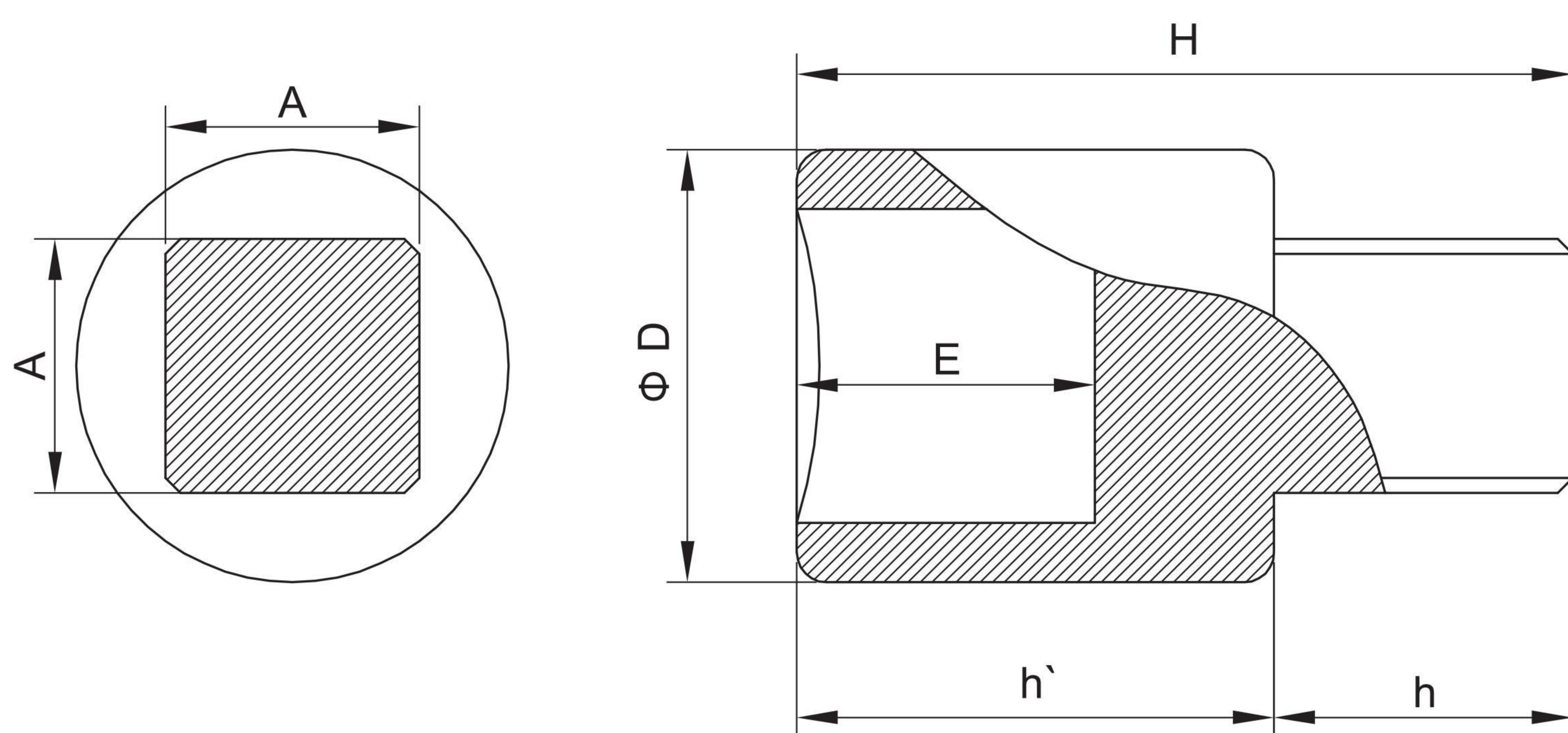


# Pneumatic Ball Valve Coupling

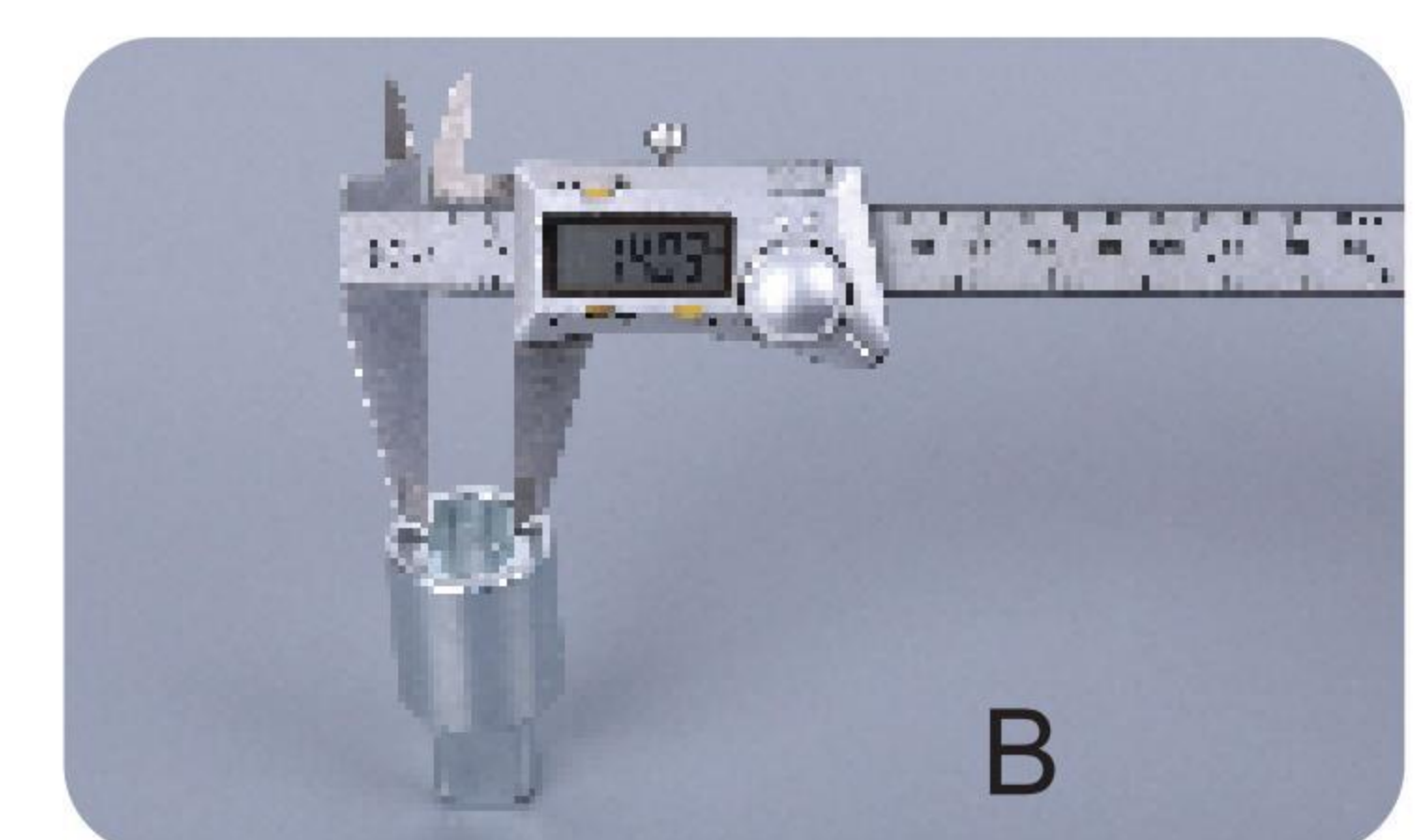
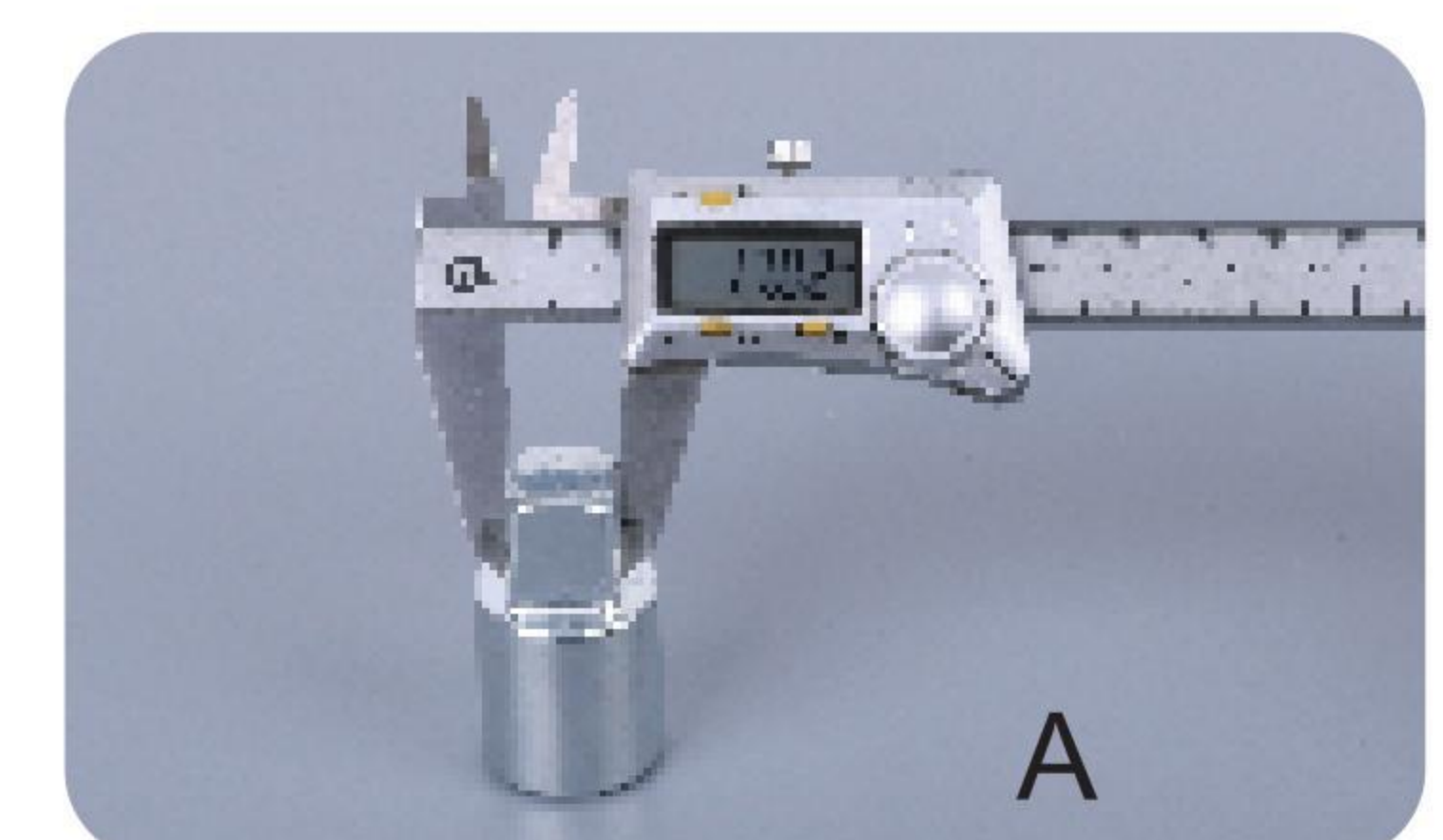
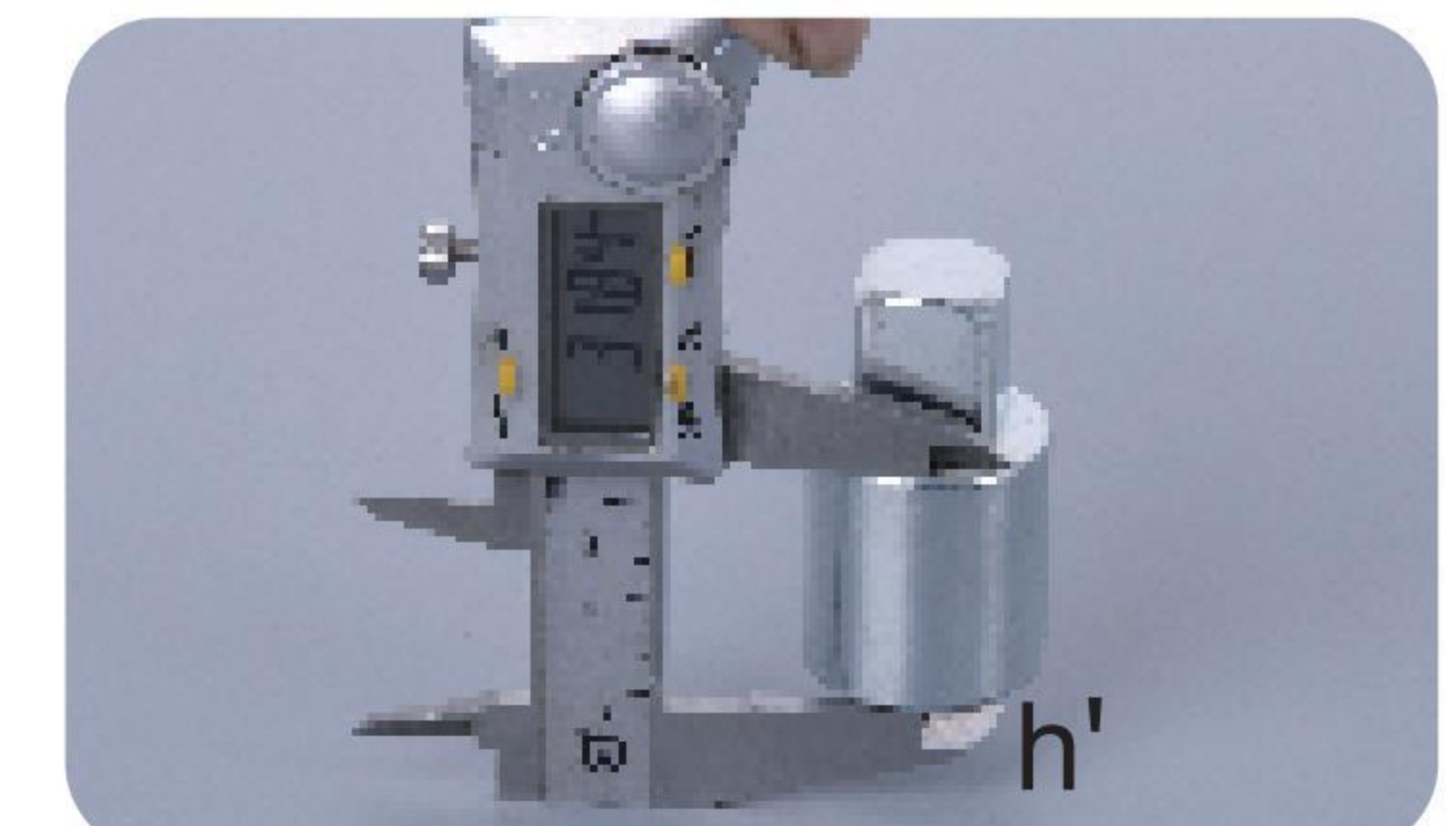
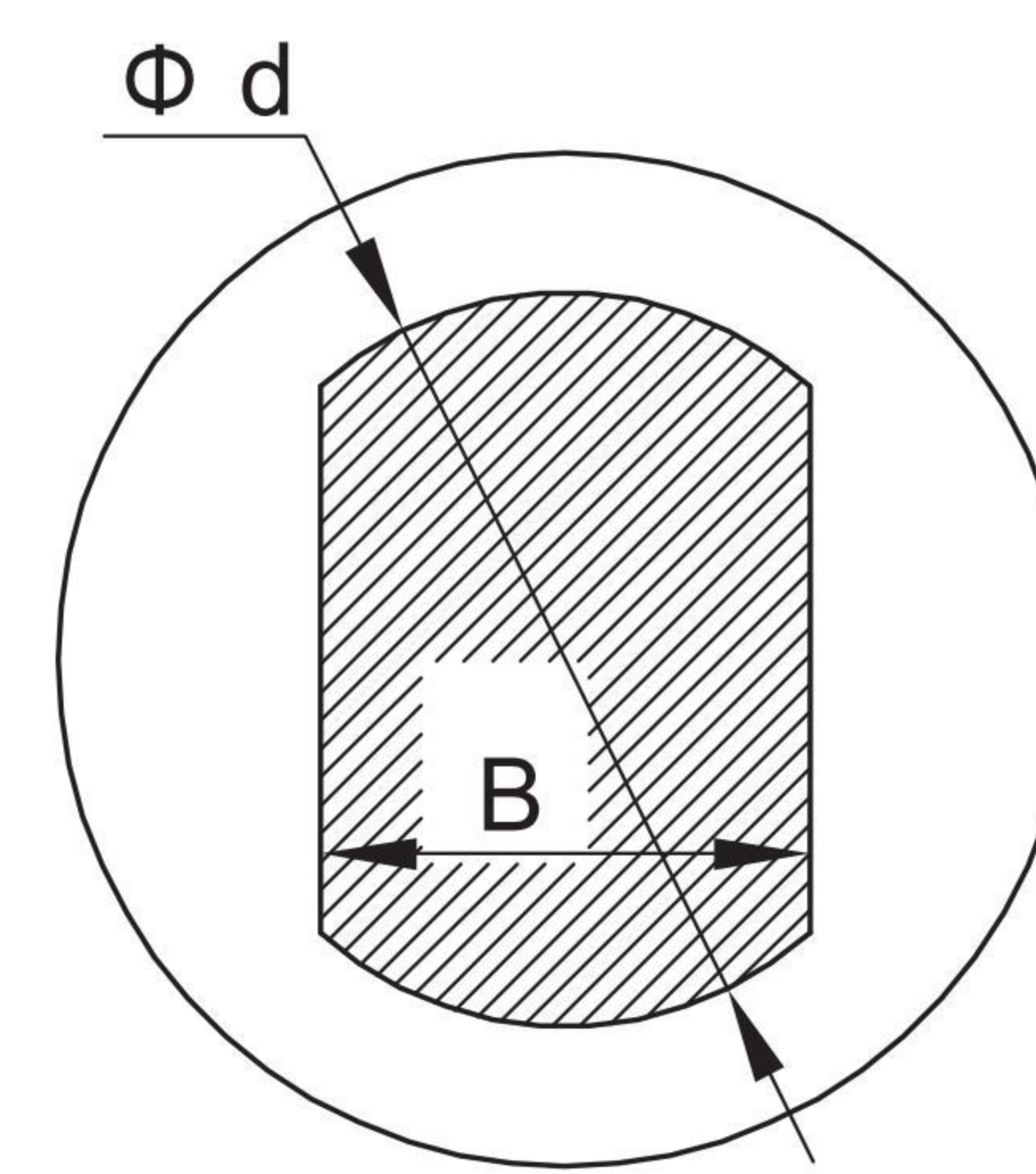


## Dimension in mm

Actuator End



Valve End



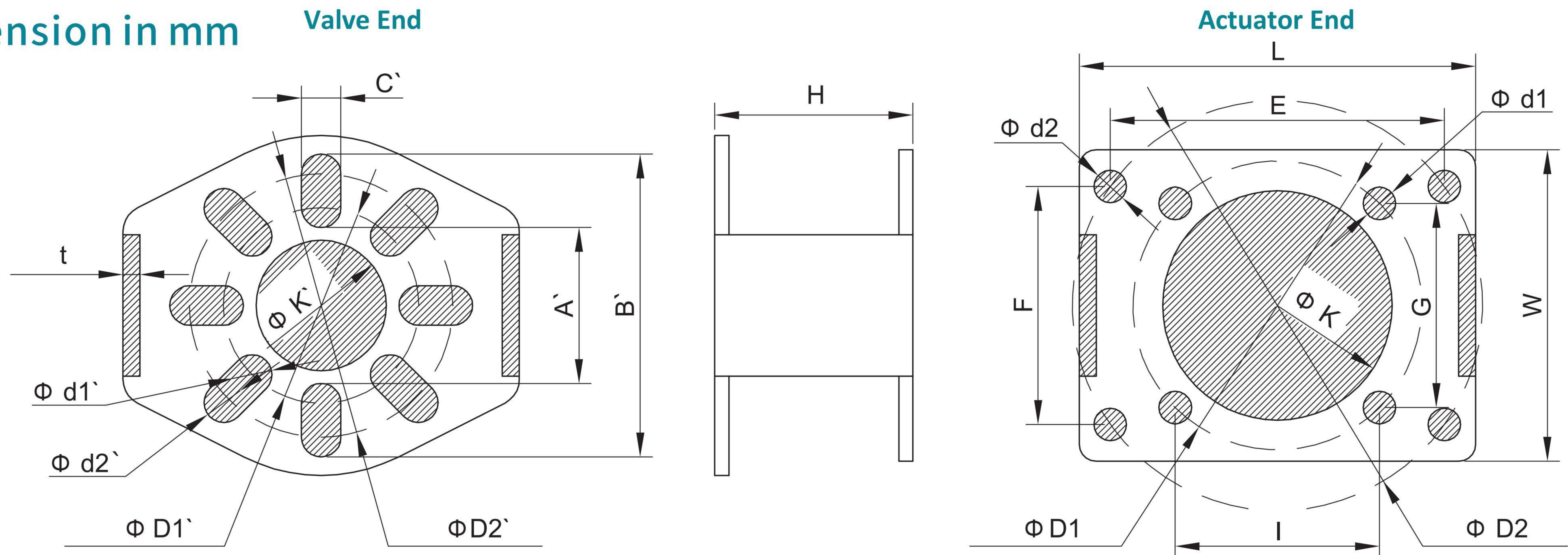
No.	Model (A x B)	Suitable for Valve Model	H	h'	φD	Actuator End		Valve End			Weight (Kg)
						h	A x A	B	φd	E	
1	9 x 8	DN15	35	21	23	14	9 x 9	8	15	14	0.062
2	11 x 8	DN15	35	21	23	14	11 x 11	8	15	16	0.066
3	11 x 9	DN20	36	22	23	16	11 x 11	9	17	16	0.065
4	14 x 9	DN25	36	22	23	16	14 x 14	9	17	16	0.075
5	11 x 10	DN25	36	22	23	16	11 x 11	10	17	16	0.064
6	14 x 10	DN25	36	22	23	16	14 x 14	10	17	16	0.07
7	14 x 11	DN32	51	32	29	19	14 x 14	12	21	21	0.153
8	14 x 12	DN40	51	32	29	19	14 x 14	12	21	21	0.15
9	17 x 12	DN40	51	32	29	19	17 x 17	12	21	21	0.16
10	14 x 13	DN40/50	51	32	29	19	14 x 14	13	21	21	0.15
11	14 x 14	DN50	51	32	29	19	14 x 14	14	21	21	0.15
12	17 x 14	DN50	52	32	29	20	17 x 17	14	21	21	0.16
13	14 x 15	DN65	51	32	29	19	14 x 14	15	23	21	0.14
14	17 x 15	DN65	57	35	35	22	17 x 17	15	25	23	0.24
15	17 x 16	DN80	57	35	35	22	17 x 17	16	25	23	0.23
16	17 x 17	DN80	58	35	35	23	17 x 17	17	26	23	0.24
17	22 x 16	DN80	58	35	35	23	22 x 22	16	25	23	0.27
18	22 x 17	DN80	58	35	35	23	22 x 22	17	28	23	0.25
19	22 x 18	DN100	58	35	39	23	22 x 22	18	29	24	0.32
20	22 x 21	DN125	65	40	49	25	22 x 22	21	33	28	0.6
21	27 x 21	DN125	74	40	49	34	27 x 27	21	33	28	0.64
22	27 x 22	DN125	74	40	49	34	27 x 27	22 x 22 square		28	0.65
23	27 x 24	DN150	86	50	54	36	27 x 27	24	38	30	0.95
24	36 x 24	DN150	86	50	54	36	36 x 36	24	38	30	1.05
25	27 x 27	DN200	90	54	54	36	27 x 27	27	41	30	0.95
26	36 x 27	DN200	90	54	54	36	36 x 36	27	41	30	1.05



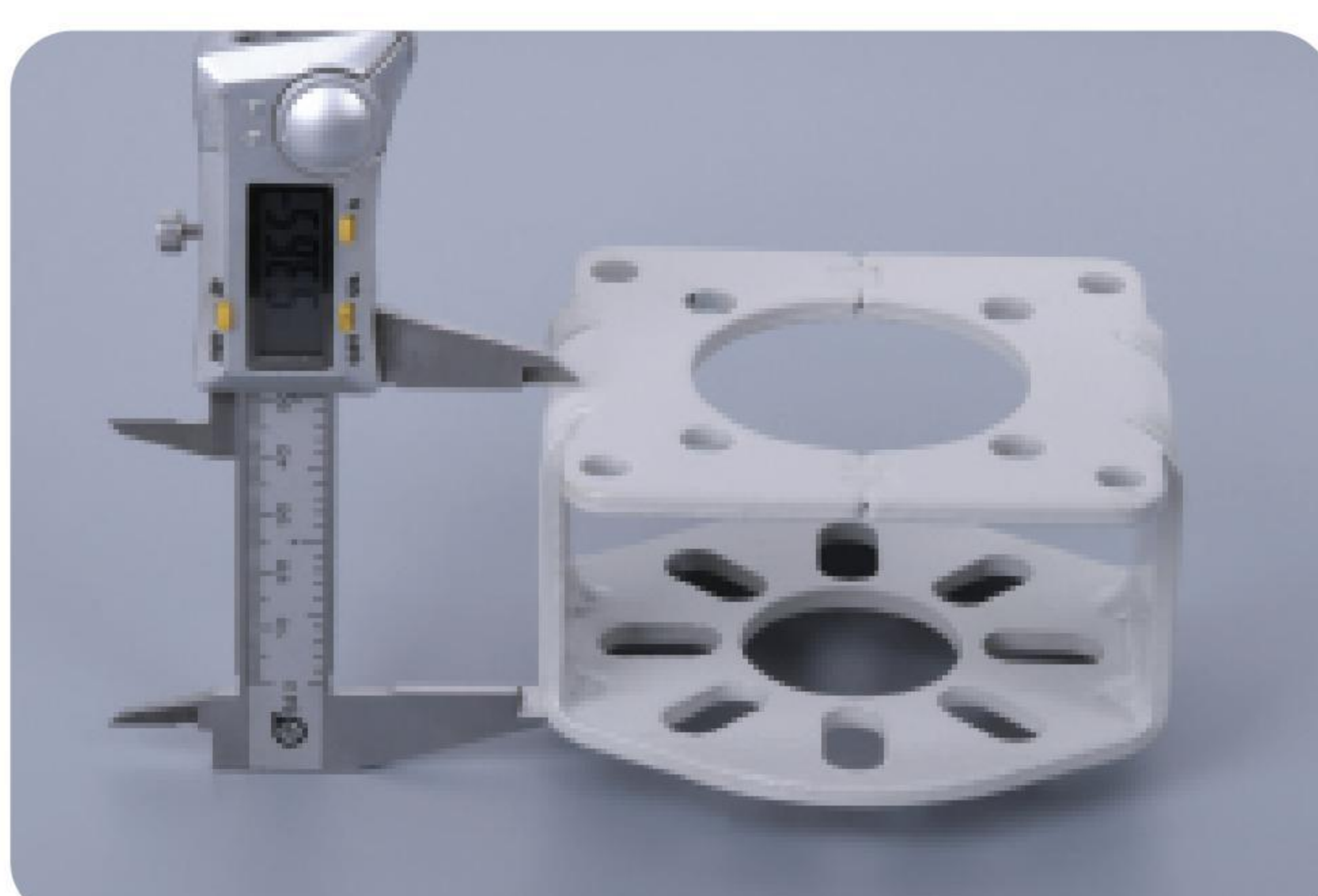
# Electric Butterfly Valve Carton Steel Bracket



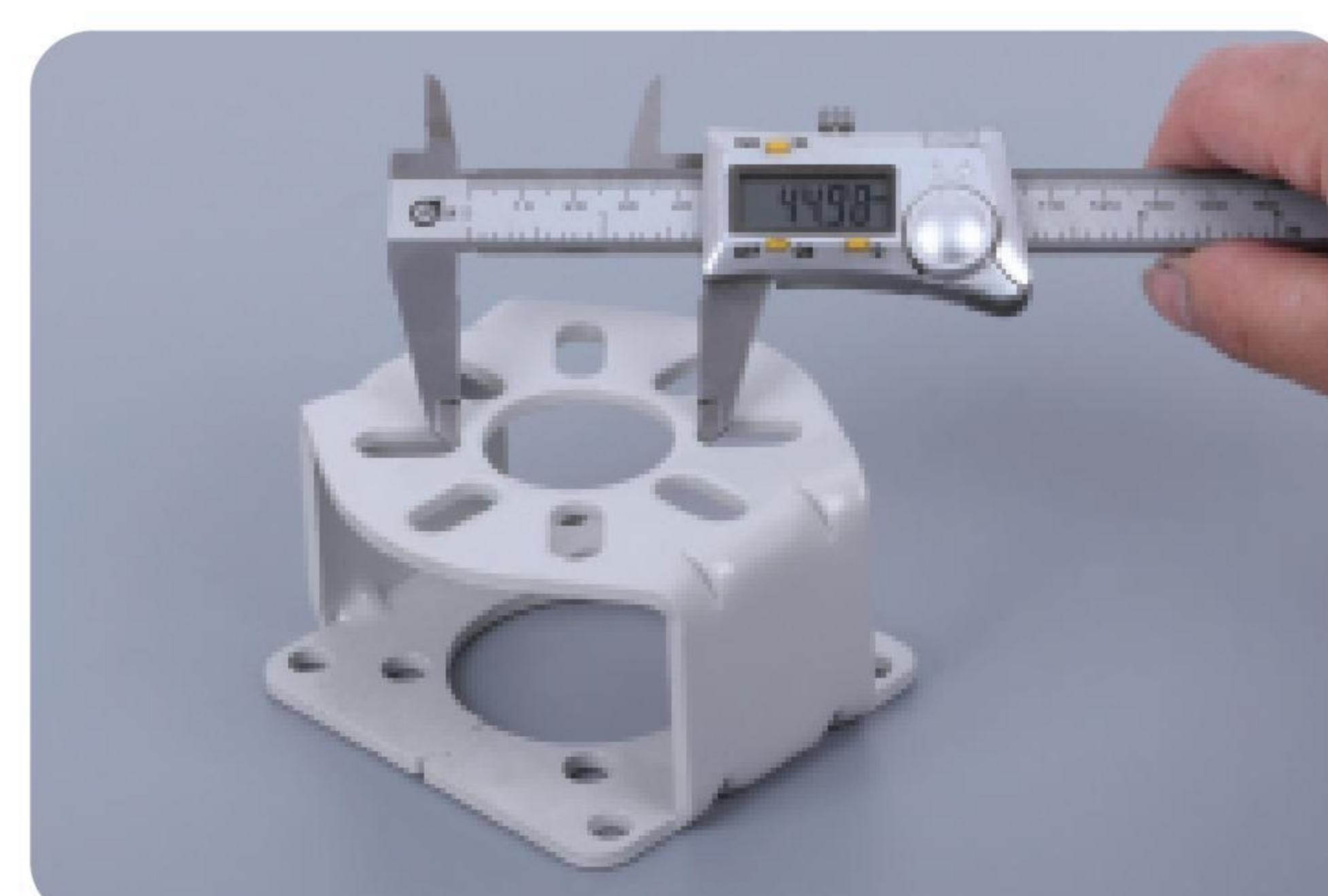
## Dimension in mm



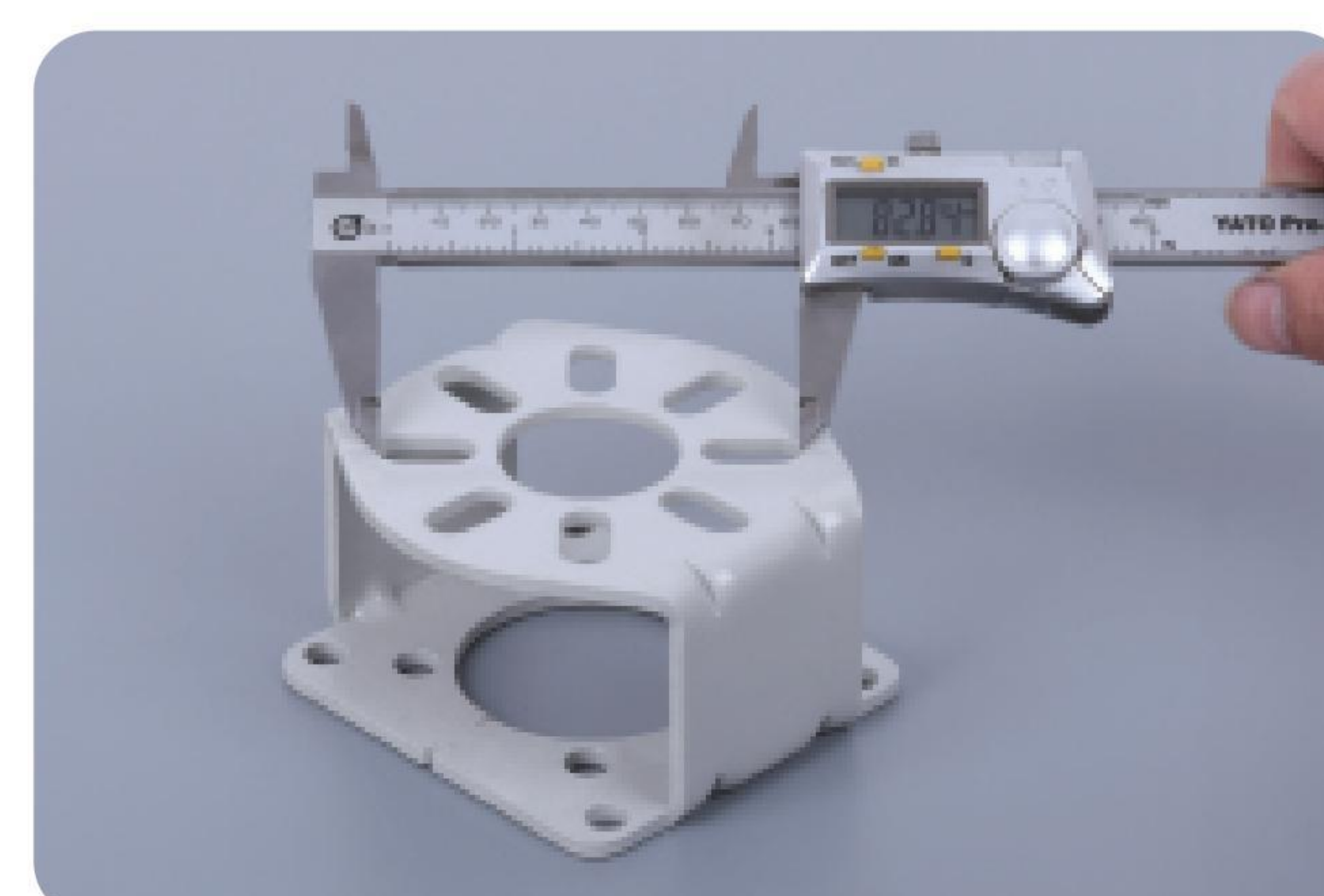
No	Model	Suitable for Butterfly Valve Model	H	t	Valve End									Actuator End										Weight (Kg)
					φ K'	φ D1'	φ D2'	φ d1'	φ d2'	A'	B'	C'	φ K'	φ D1'	φ D2'	φ d1'	φ d2'	L	W	E	F	G	I	
1	D05A (Bending Type)	DN40/50/65/80	48	3	33	47	62	6.5	6.5	41	68	6.5	35	70	/	8.5	7	87	73	68	60	/	/	0.23
2	D05B (Bending Type)	DN40/50/65/80	48	3	33	47	62	6.5	6.5	41	68	9.2	35	70	/	8.5	7	87	73	68	60	/	/	0.23
3	D10A (Bending Type)	DN100/125	55	4	37	54	74	10	10	45	84	10	55	70	/	9	8	103	90	82	70	/	/	0.5
4	D10B (Bending Type)	DN100/125	55	4	37	54	74	10	10	45	84	12	55	70	/	9	8	103	90	82	70	/	/	0.5
5	D20 (Bending Type)	DN150/200/250	70	5	46	69	93	14	14	56	107	14	81	102	/	12	12	140	110	118	84	/	/	1
6	D60H (Welding Type)	DN300/350	70	6	56	82	109	14	14	69	122	14	81	102	/	12	12	152	110	118	84	/	/	1.1
7	D100AH (Welding Type)	DN350/400/450	83	8	66	92	130	14	16	78	145	16	90	/	/	11	14	184	110	148	84	84	117	2
8	D100BH (Welding Type)	DN350/400/450	83	8	66	92	130	14	16	78	145	16	62	102	140	13	18	184	110	/	/	/	/	2.3
9	D200AH (Welding Type)	DN500	100	10	80	137	166	19	19	117	184	19	80	/	/	12	15	178	110	148	84	84	117	2.62
10	D200BH (Welding Type)	DN500	100	10	80	137	166	19	19	117	184	19	62	102	140	13	18	140	131	/	/	/	/	2.65



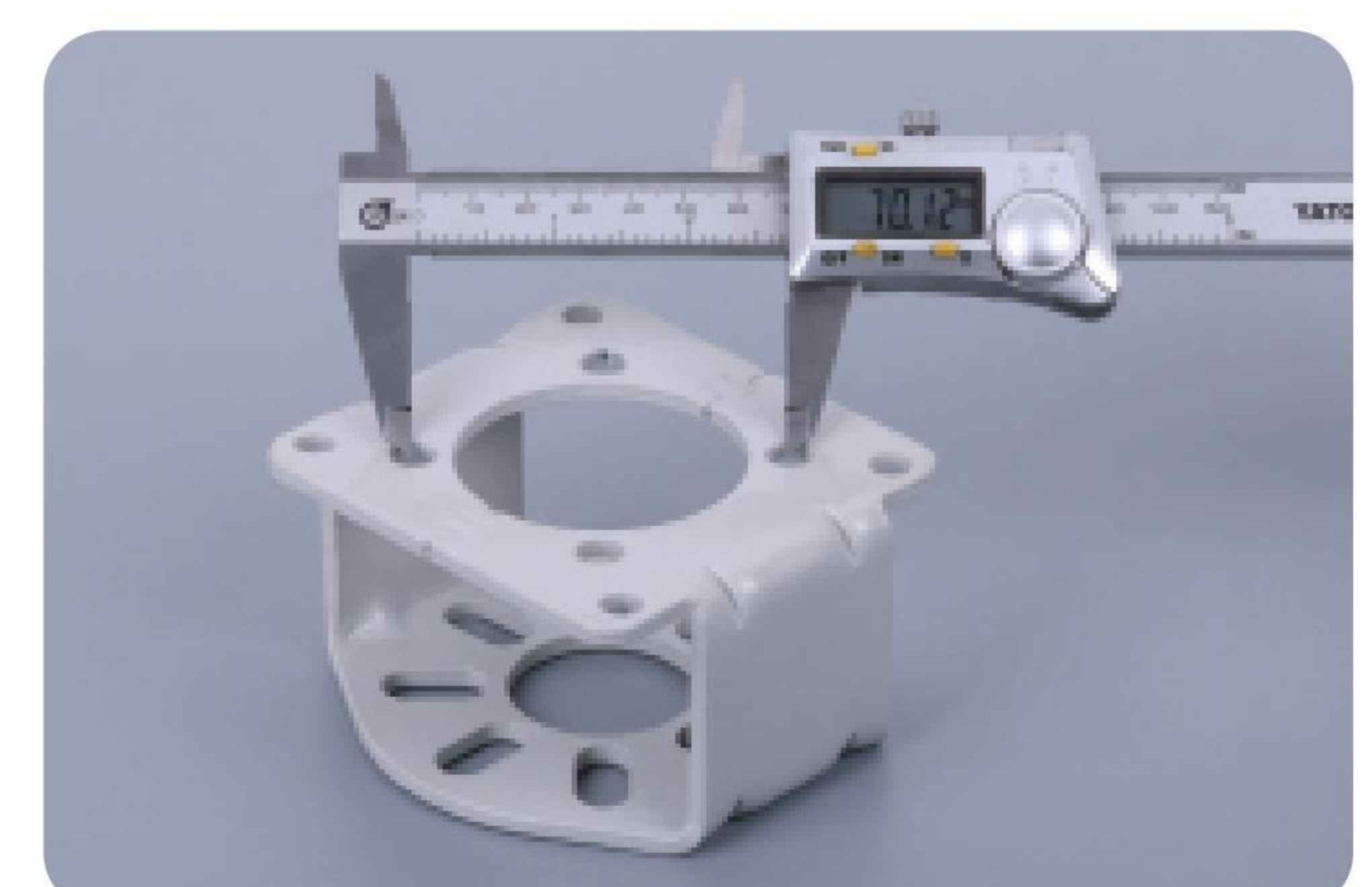
H Height



A' Min mounting hole position of valve



B' Max mounting hole position of valve



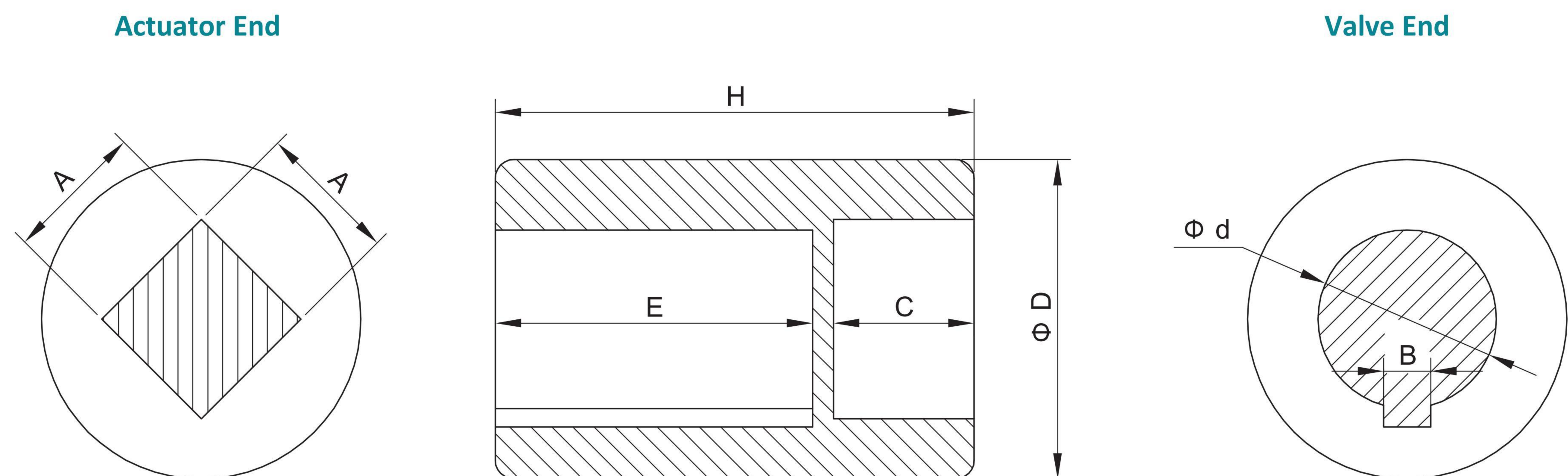
φ D1 Mounting hole position of actuator



# Electric Butterfly Valve Coupling



## Dimension in mm



No.	Model (A x $\phi d$ )	Suitable for Valve Model	Height (H)	Outer Dimension $\phi D$	Actuator End		Valve End			Weight (Kg)
					C	A x A	Stem $\phi d$	Keyway B	E	
1	12 x $\phi 12.7$	DN40/50/65/80	45	25	14	12 x 12	12.7	3	25	0.13
2	15 x $\phi 15.8$	DN100	50	31	15	15 x 15	15.8	5	31	0.21
3	15 x $\phi 19$	DN125	50	31	15	15 x 15	19	5	30	0.2
4	23 x $\phi 19$	DN150	60	43	24	23 x 23	19	5	28	0.5
5	23 x $\phi 22$	DN200	62	43	23	23 x 23	22	5	33	0.49
6	23 x $\phi 28.5$	DN250	68	45	23	23 x 23	28.5	8	35	0.55
7	30 x $\phi 31.7$	DN350	80	54	28	30 x 30	31.7	8	52	0.9
8	30 x $\phi 33.1$	DN400	80	55	30	30 x 30	33.1	10	52	0.95
9	30 x $\phi 38$	DN450	80	55	28	30 x 30	38	10	52	0.8
10	30 x $\phi 41$	DN500	80	55	28	30 x 30	41	10	50	0.8

## Key dimension Selection



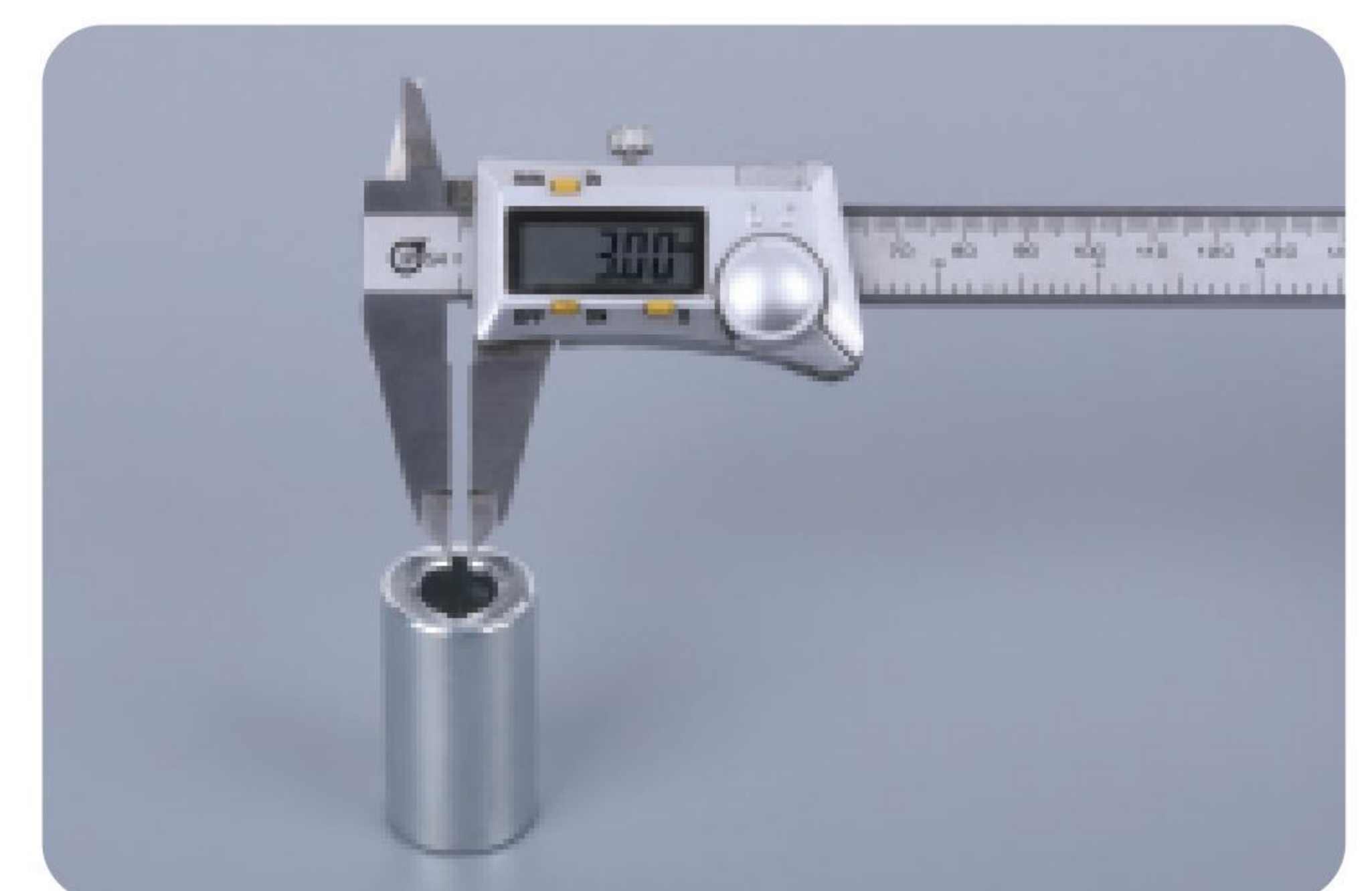
H Height



A Mounting hole position of actuator



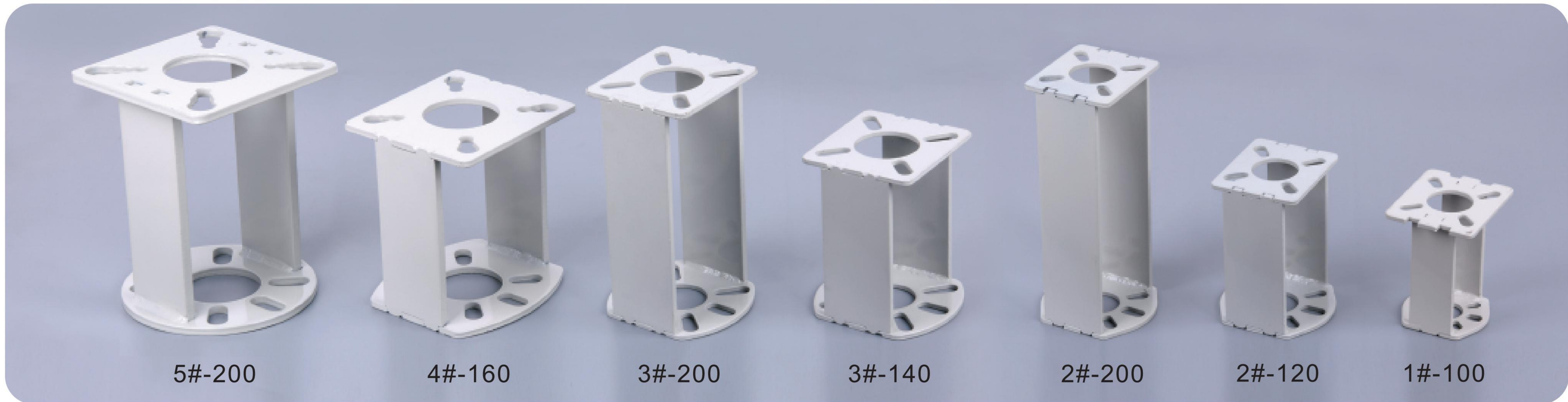
$\Phi d$  Stem Outer Diameter



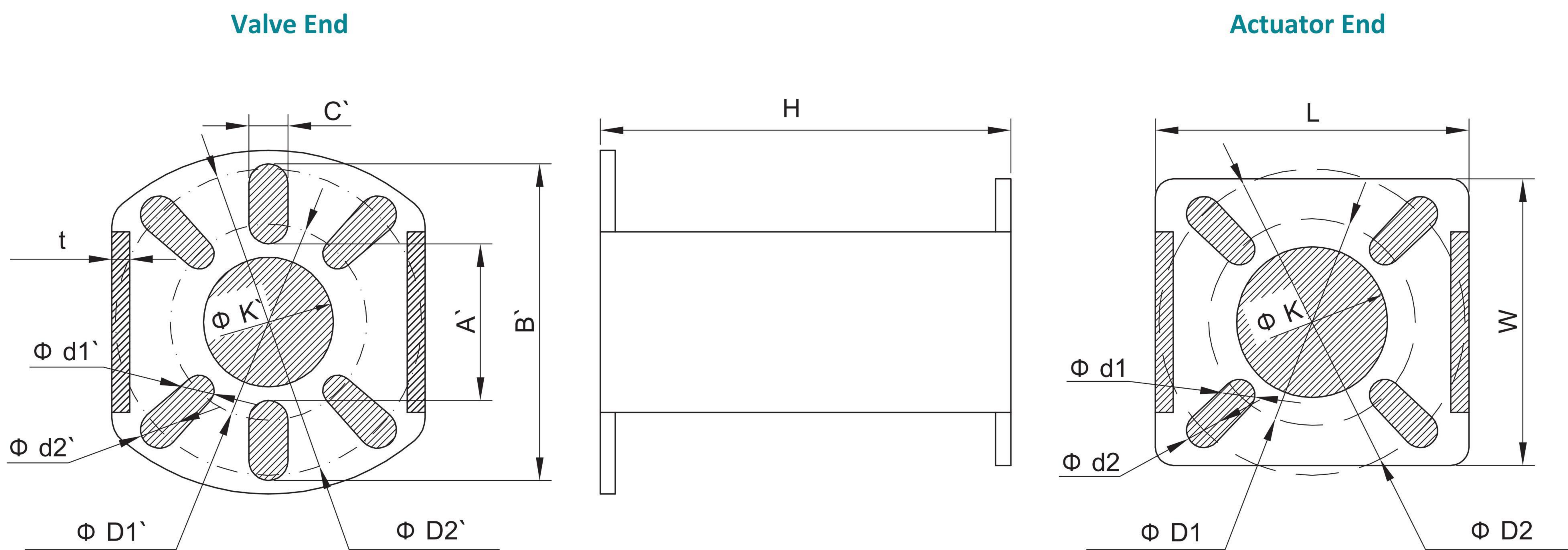
B Keyway



# Heightening Ball Valve Carbon Steel Bracket

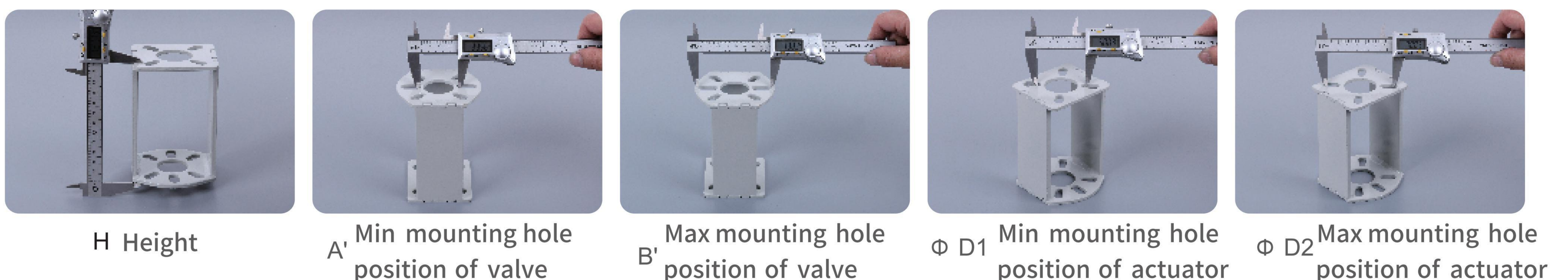


## Dimension in mm



No	Model	Suitable for Valve Model	H	t	Valve End							Actuator End						Weight (Kg)		
					Φ K'	Φ D1'	Φ D2'	Φ d1'	Φ d2'	A'	B'	C'	Φ K'	Φ D1'	Φ D2'	Φ d1'	Φ d2'		L	W
1	1#-100 (Welding Type)	DN15/20/25	100	5	26	39	50	6.5	7	32	58	8.5	35	50	70	7.5	9.5	82	70	0.41
2	2#-120 (Welding Type)	DN32/40/50	120	5	32	50	70	7.5	9.5	39	79	9.8	35	50	70	7.5	9.5	82	70	0.67
3	2#-200 (Welding Type)	DN32/40/50	200	5	32	50	70	7.5	9.5	39	79	9.8	35	50	70	7.5	9.5	82	70	0.9
4	3#-140 (Welding Type)	DN65/80/100	140	6	43	65	102	10	12	49	102	13	43	70	102	9.2	11	105	95	1.22
5	3#-200 (Welding Type)	DN65/80/100	200	6	43	65	102	10	12	49	102	13	43	70	102	9.2	11	105	95	1.6
6	4#-160 (Welding Type)	DN125/150	160	8	58	80	110	13	15	67	124	14	62	102	140	13	18	140	130	2.41
7	5#*-200 (Welding Type)	DN200	200	10	67	94	130	15	17	78	147	16	67	102	165	11	21	155	150	3.65

## Key dimension Selection

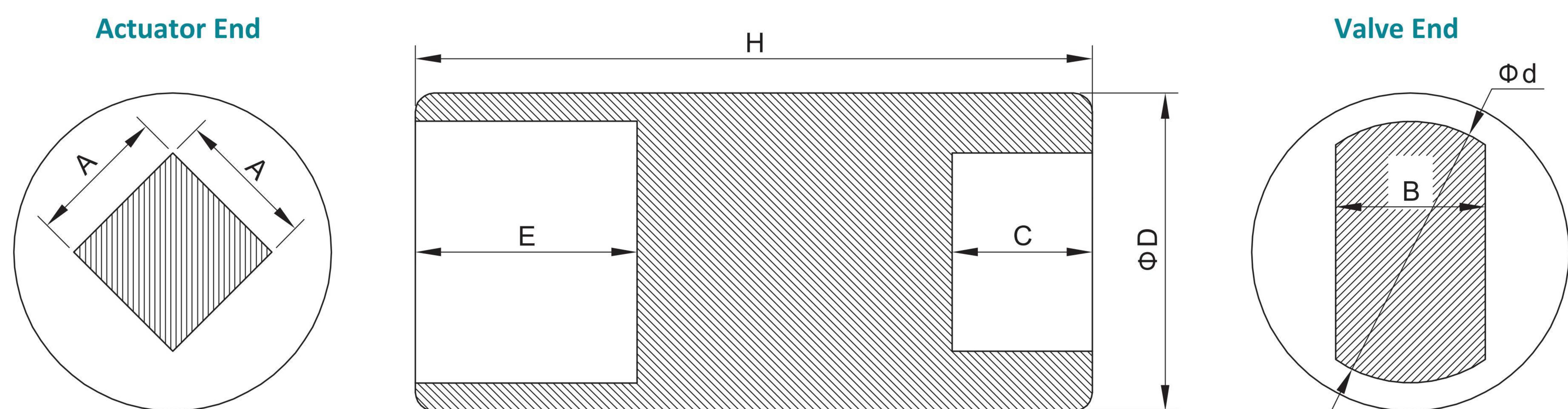




# Heightening Ball Valve Coupling



Dimension in mm

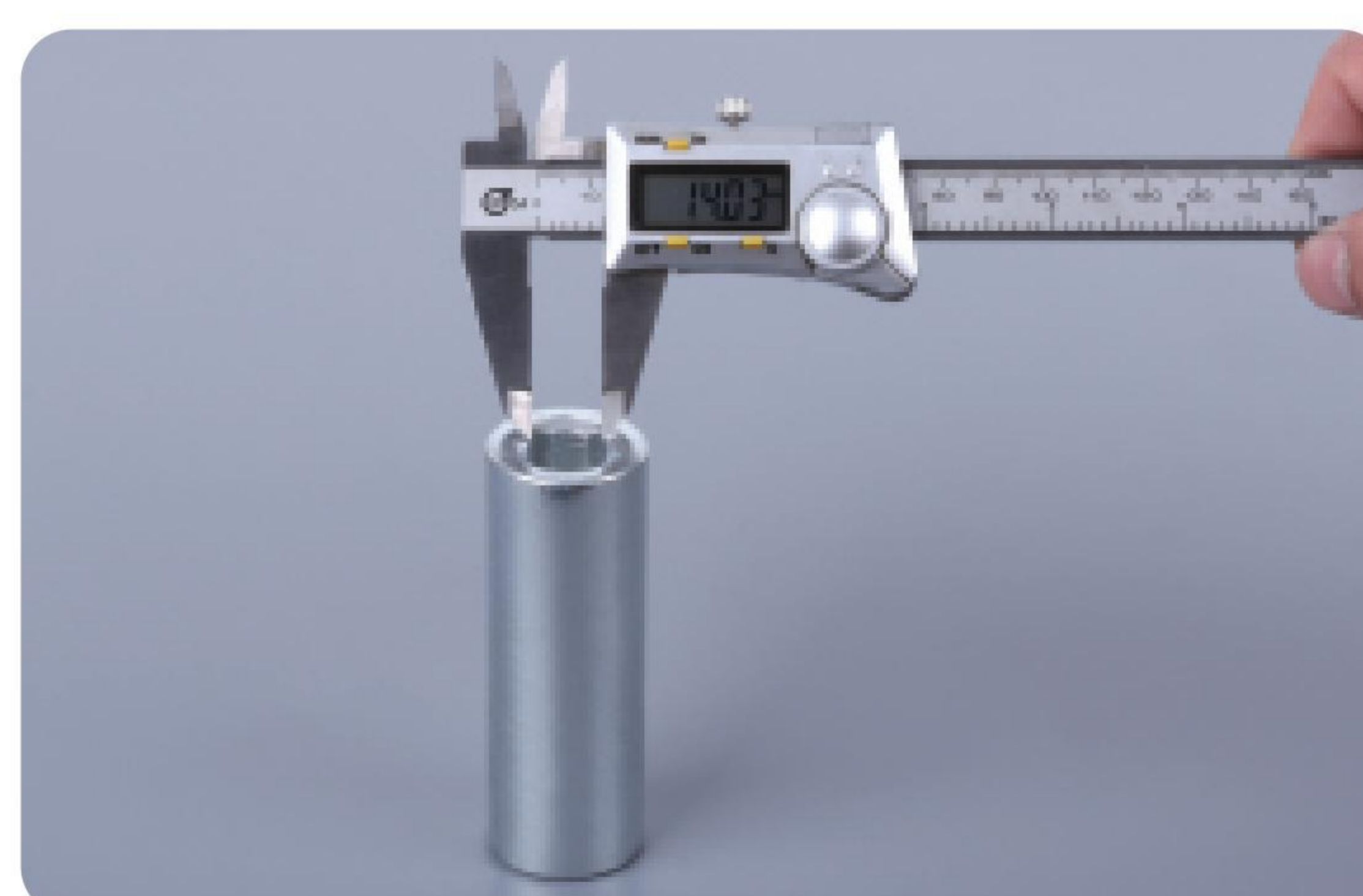


No.	Model (A x $\phi d$ )	Suitable for Valve Model	Height (H)	Outer Dimension $\phi D$	Actuator End		Valve End			Weight (Kg)
					C	A x A	Width B	Stem $\phi d$	E	
1	12 x 8 - 73	DN15	73	24	16	12 x 12	8	16	15	0.4
2	12 x 9 - 73	DN20	73	24	16	12 x 12	9	17	15	0.4
3	12 x 10 - 73	DN25	73	24	16	12 x 12	10	19	15	0.4
4	15 x 12 - 92	DN32	92	30	20	15 x 15	12	24	20	0.55
5	15 x 13 - 92	DN40/50	92	30	20	15 x 15	13	25	20	0.55
6	15 x 14 - 92	DN50	92	30	20	15 x 15	14	26	20	0.5
7	15 x 15 - 92	DN65	92	30	20	15 x 15	15	28	20	0.5
8	23 x 16 - 100	DN80	100	42	25	23 x 23	16	34	25	1
9	23 x 17 - 100	DN100	100	42	25	23 x 23	17	34	25	1
10	23 x 18 - 100	DN100	100	42	25	23 x 23	18	36	25	1
11	30 x 21 - 120	DN125	120	55	30	30 x 30	21	43	30	2
12	30 x 24 - 120	DN150	120	55	30	30 x 30	24	46	30	2

## Key dimension Selection



H Height



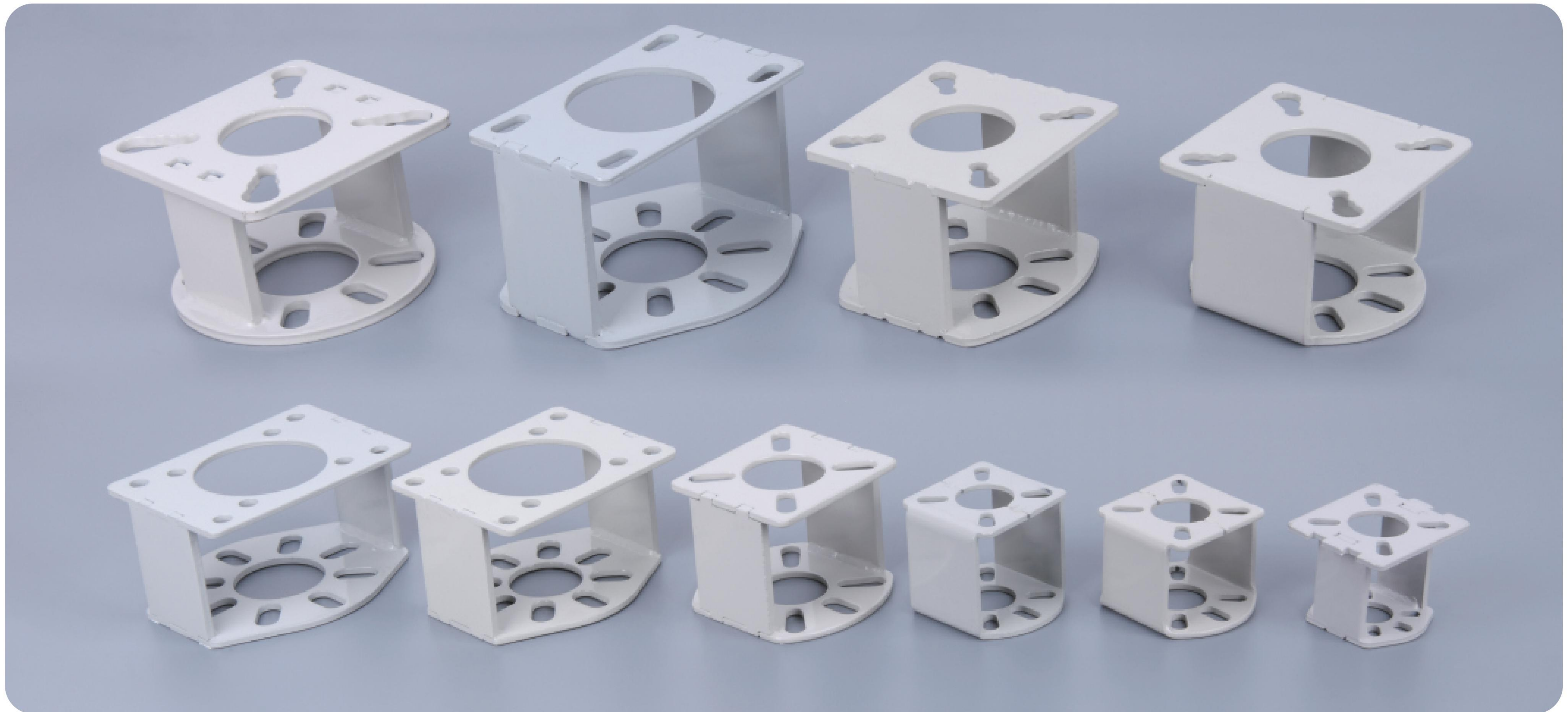
A Mounting hole position of actuator



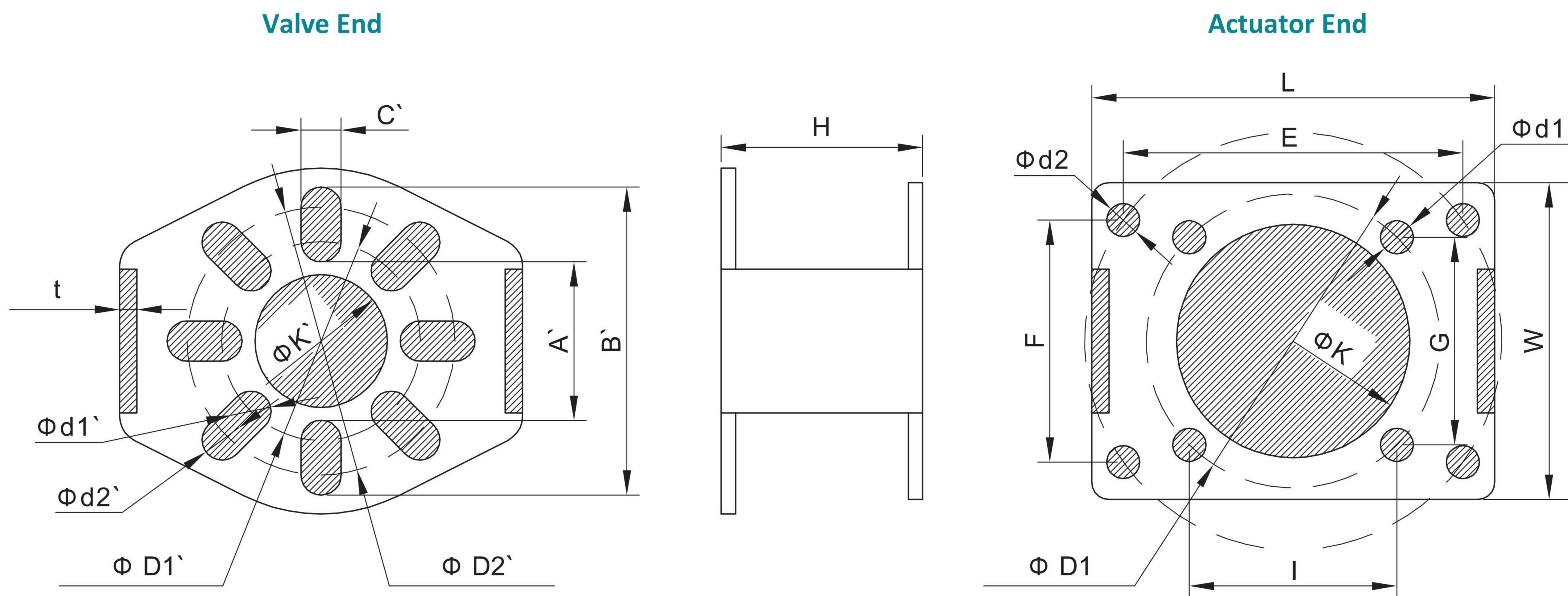
B Mounting hole position of Stem



# Electric Ball Valve Carbon Steel Bracket



## Dimension in mm



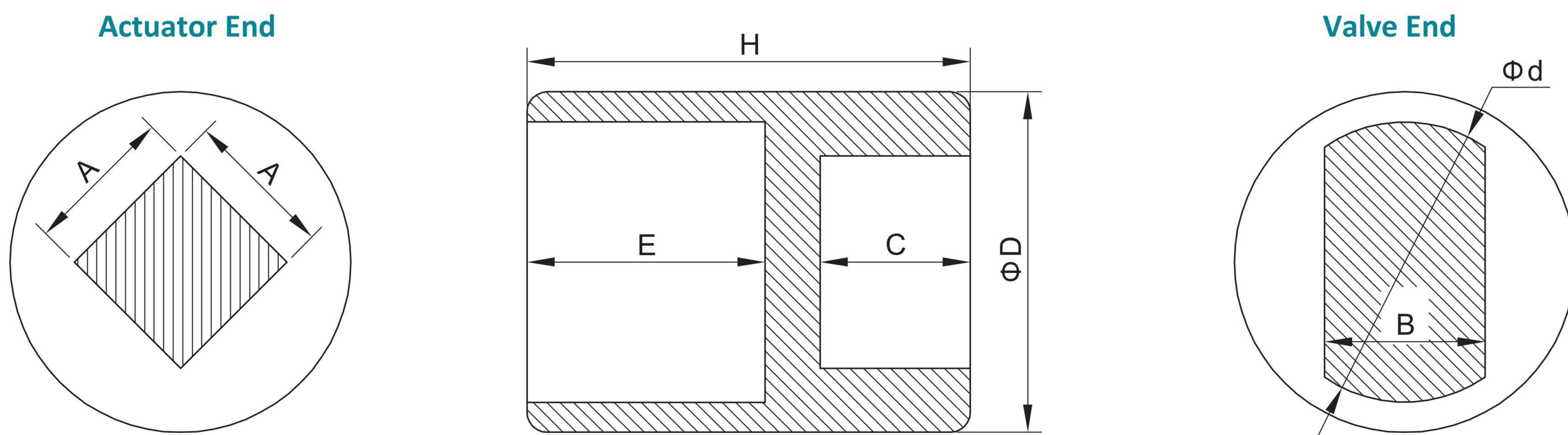
No	Model	Suitable for Ball Valve Model	H	t	Valve End								Actuator End										Weight (Kg)	
					Φ K'	Φ D1'	Φ D2'	Φ d1'	Φ d2'	A'	B'	C'	Φ K'	Φ D1'	Φ D2'	Φ d1'	Φ d2'	L	W	E	F	G		/
1	T1#-62	DN15/20/25	62	5	26	39	50	6.5	7	32	58	8.5	35	50	70	7.5	9.5	82	70	/	/	/	/	0.36
2	2#	DN32/40/50	62	4	32	50	70	7.5	9.5	39	79	10	35	50	70	7.5	9.5	78	70	/	/	/	/	0.41
3	Q10A	DN32/40/50	72	4	32	50	70	7.5	9.5	39	79	10	35	50	70	7.5	9.5	78	70	/	/	/	/	0.45
4	A20AH	DN65/80/100	83	5	46	69	93	14	14	56	107	14	81	102	/	12	12	140	110	118	84	1	/	1.15
5	A20BH	DN65/80/100	83	6	43	65	102	11	12	49	101	13	43	70	102	9	11	105	95	/	/	/	/	1.1
6	A60H	DN100/125	83	6	56	82	109	14	14	69	122	14	81	102	/	12	12	152	110	118	84	/	/	1.2
7	A100AH	DN125/150	115	8	66	92	130	14	16	78	145	16	90	/	/	11	14	184	110	148	84	84	117	2.3
8	4#	DN125/150	90	6	57	80	110	12	14	67	124	14	62	102	140	11	17	140	130	/	/	/	/	1.6
9	4.5#	DN125/150	100	8	57	80	110	12	14	67	124	14	62	102	140	11	17	140	130	/	/	/	/	1.9
10	5#	DN200	100	10	67	94	130	15	17	78	147	16	67	102	165	11	21	155	150	/	/	/	/	2.9



# Electric Ball Valve Coupling



## Dimension in mm



No.	Model (A x φd)	Suitable for Valve Model	Height (H)	Outer Dimension φD	Actuator End		Valve End			Weight (Kg)
					C	A x A	Width B	Stem φd	E	
1	12 x 8	DN15	34	24	20	12 x 12	8	16	14	0.082
2	12 x 9	DN20	34	24	20	12 x 12	9	17	14	0.079
3	12 x 10	DN25	34	24	20	12 x 12	10	19	14	0.074
4	12 x 12	DN32	35	25	20	12 x 12	12	20	14	0.14
5	15 x 12	DN32	36	34	18	15 x 15	12	24	15	0.185
6	15 x 13	DN40/50	36	34	18	15 x 15	13	25	15	0.177
7	15 x 14	DN40/50	36	34	18	15 x 15	14	26	15	0.171
8	15 x 15	DN65/80	36	34	18	15 x 15	15	28	16	0.165
9	15 x 16	DN65/80	36	34	18	15 x 15	16	30	16	0.159
10	23 x 16	DN80	36	42	26	23 x 23	16	34	19	0.21
11	23 x 17	DN100	36	42	26	23 x 23	17	34	19	0.21
12	23 x 18	DN100	36	42	26	23 x 23	18	36	19	0.21
13	30 x 21	DN125	55	54	29	30 x 30	21	43	21	0.59
14	30 x 24	DN150	55	54	29	30 x 30	24	46	21	0.56

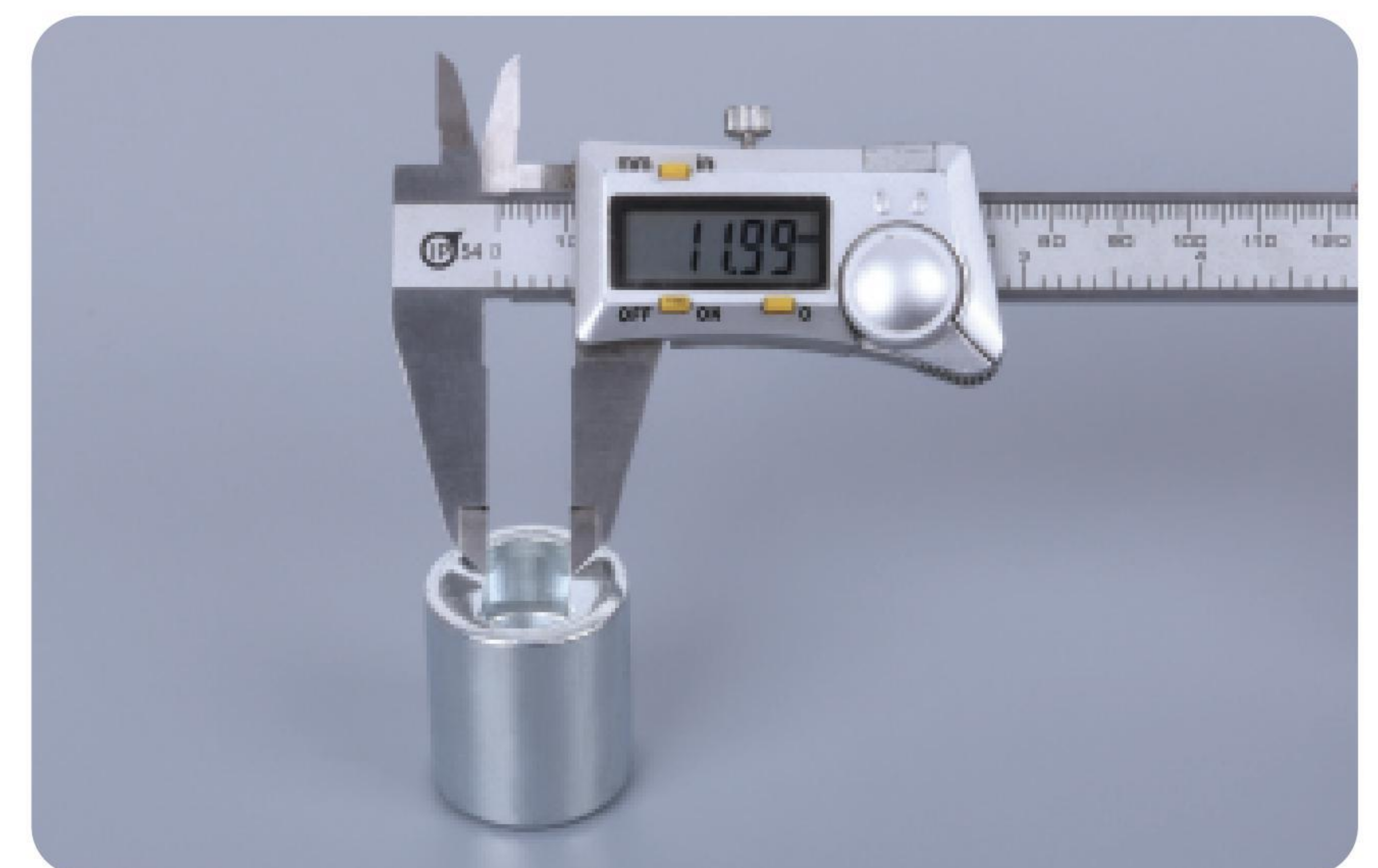
## Key dimension Selection



H Height



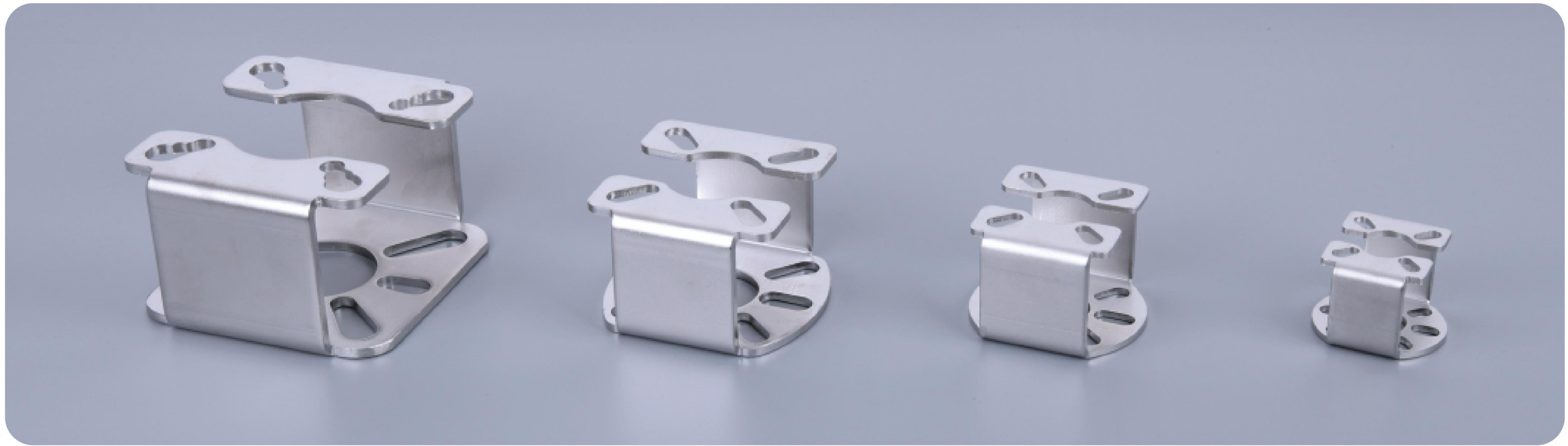
A Mounting hole position of actuator



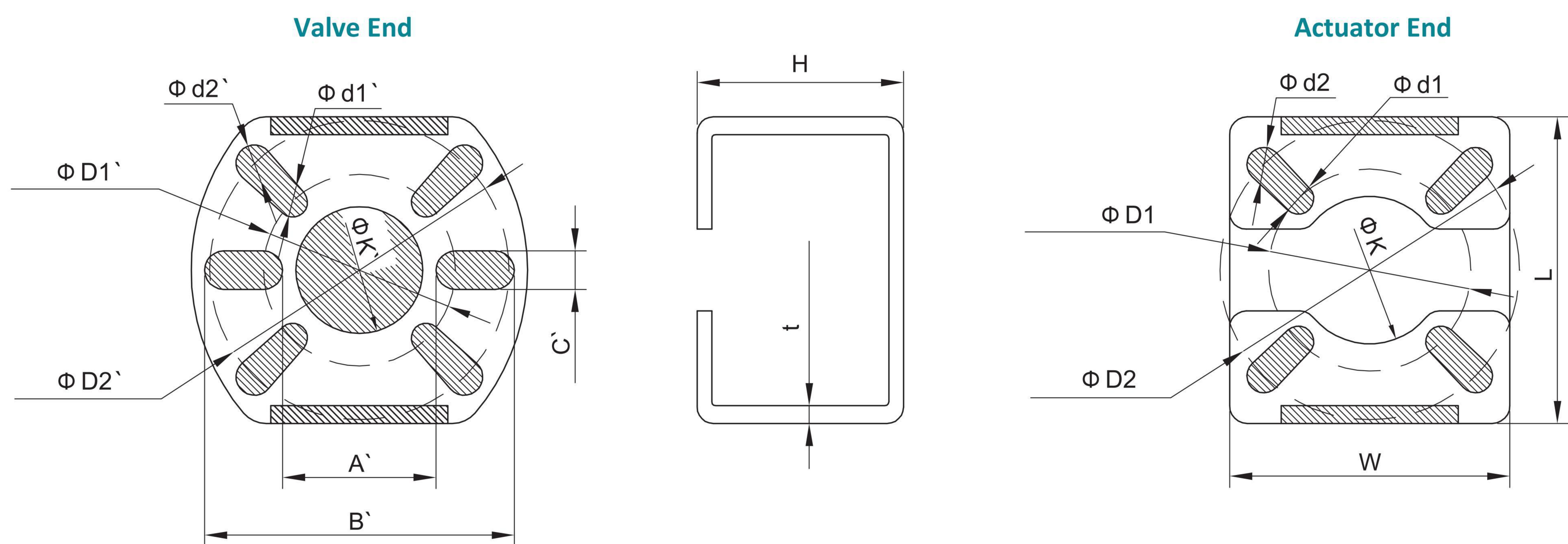
B Mounting hole position of Stem



# 304 Stainless Steel Ball Valve Bracket



## Dimension in mm



No	Model	Suitable for Valve Model	H	t	Valve End						Actuator End						Weight (Kg)			
					$\phi K'$	$\phi D1'$	$\phi D2'$	$\phi d1'$	$\phi d2'$	A'	B'	C'	$\phi K'$	$\phi D1'$	$\phi D2'$	$\phi d1'$		$\phi d2'$	L	W
1	S1# (Bending Type)	DN15/20/25	48	4	26	39	50	6.5	7	32	58	8.5	26	36	50	6.5	7.5	66	66	0.2
2	S2# (Bending Type)	DN32/40/50	62	4	32	50	70	7.5	9.5	39	79	9.8	35	50	70	7.5	9.5	90	90	0.41
3	S3# (Bending Type)	DN65/80/100	72	5	43	65	102	9	12	49	102	13	43	70	102	9.5	12	116	116	0.8
4	S4# (Bending Type)	DN125/150	90	6	58	80	140	12	18	67	124	14	70	102	140	12	18	145	140	1.7

## Key dimension Selection

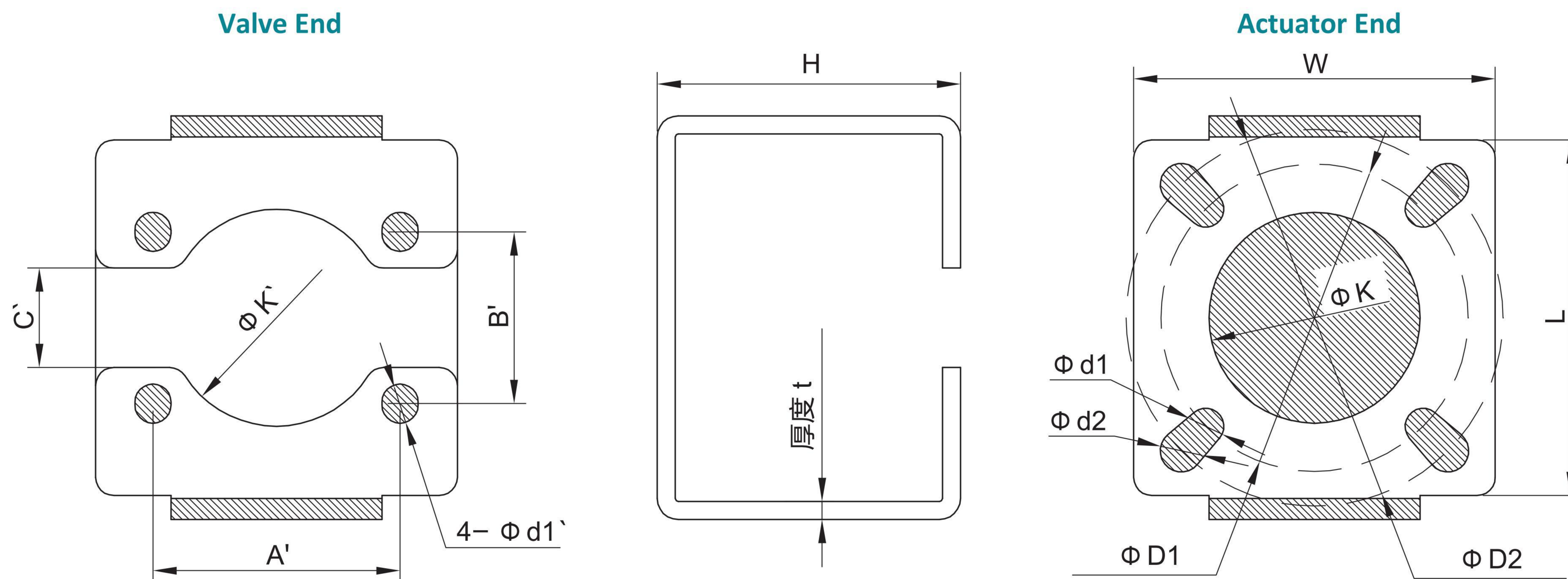




# Lined Ball Valve Carbon Steel Bracket

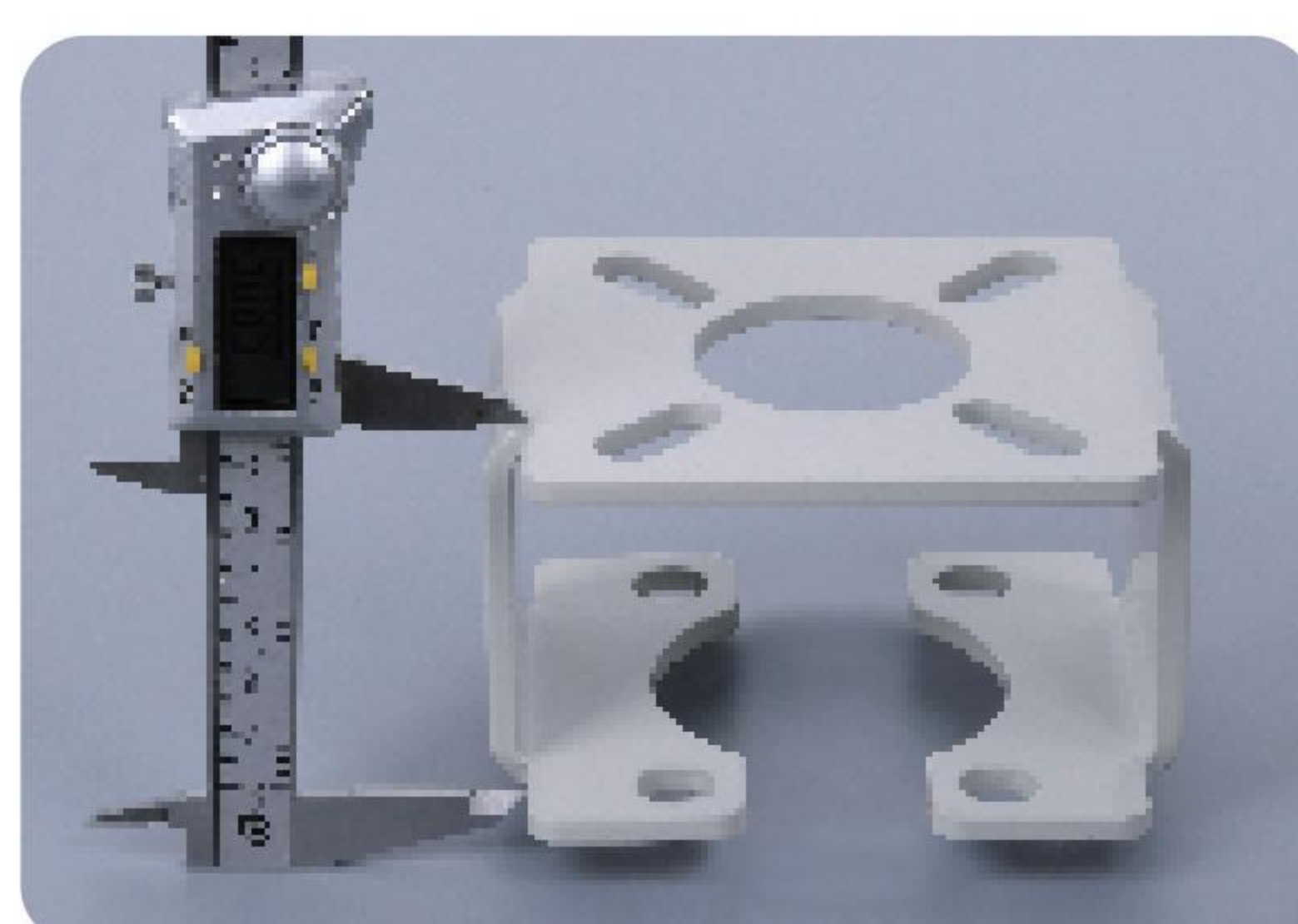


## Dimension in mm

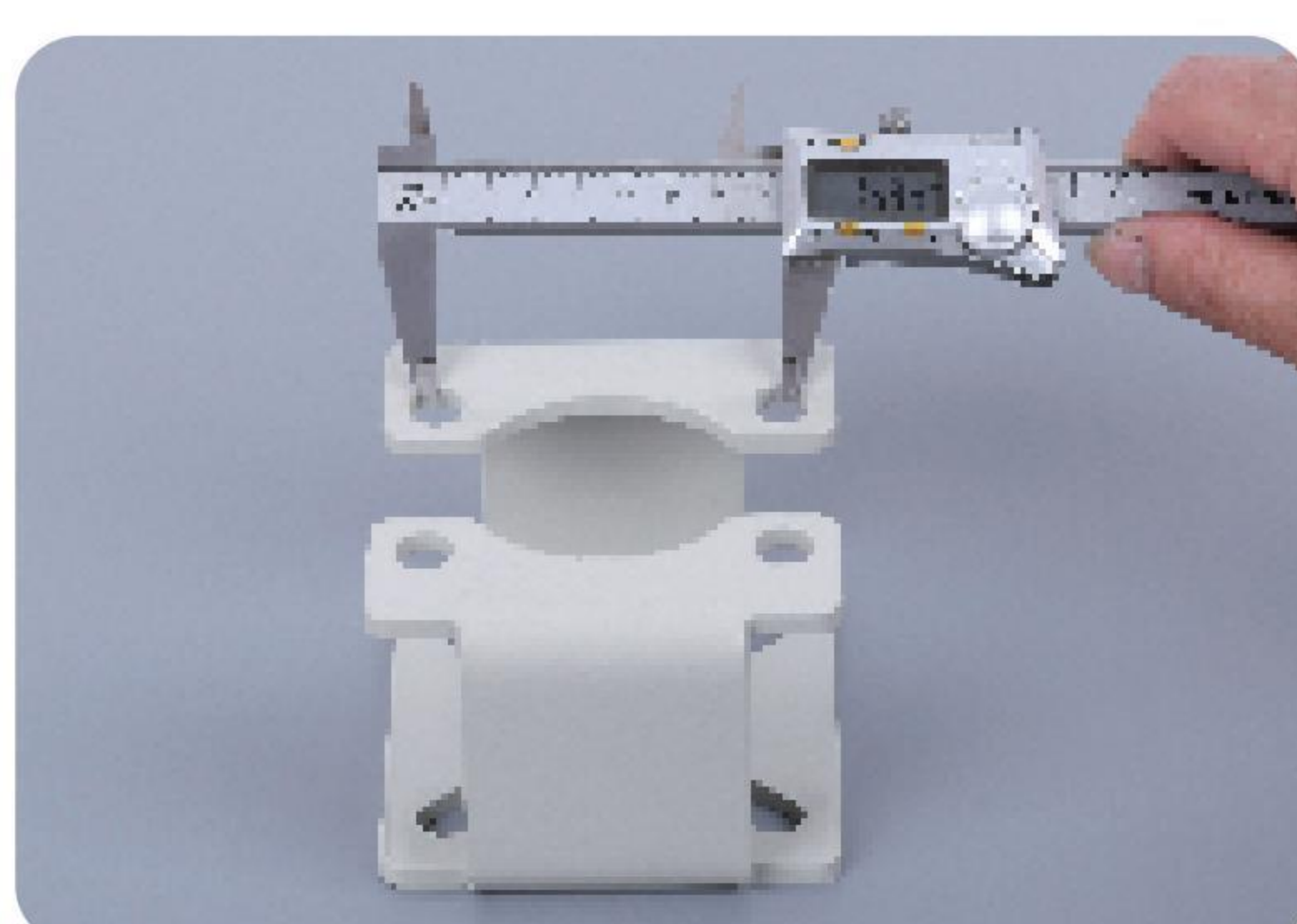


No.	Model	Suitable for Valve Model	H	t	Valve End					Actuator End						Weight (Kg)	
					φ K'	φ d1'	A'	B'	C'	φ K'	φ D1'	φ D2'	φ d1'	φ d2'	L		W
1	CF1# (Bending Type)	DN15/20	50	4	36	8	42	30	18	34	50	70	7	10	75	70	0.3
2	CF1.5# (Bending Type)	DN25/32	50	4	43	10	49	39	24	34	50	70	7	10	75	70	0.27
3	CF2# (Bending Type)	DN40/50	62	5	57	10	62	42.2	26	49	70	102	10	12	105	100	0.6
4	CF2.5# (Bending Type)	DN65	70	5	64	12	76	56.5	32	49	70	102	10	12	120	100	0.85
5	CF3# (Bending Type)	DN80/100	75	6	72	12	82	57	33	70	102	125	12	14	134	120	1.3
6	CF4# (Bending Type)	DN125/150	90	8	100	14	107	83	60	70	108	140	14	18	177	160	3.2
7	CF5# (Bending Type)	DN200	110	10	110	18	120	89	60	90	140	165	17	21	200	185	5.1

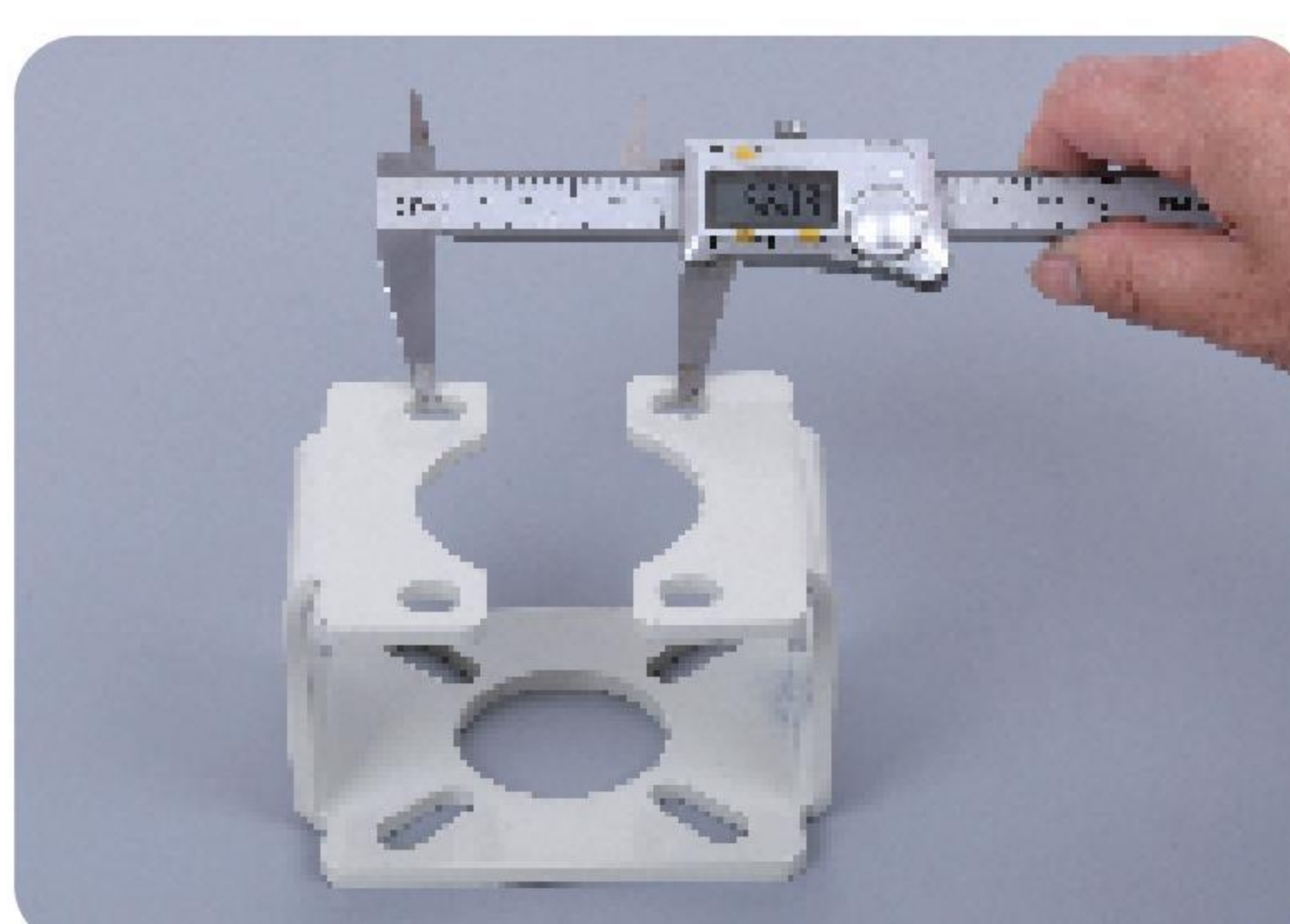
## Key dimension Selection



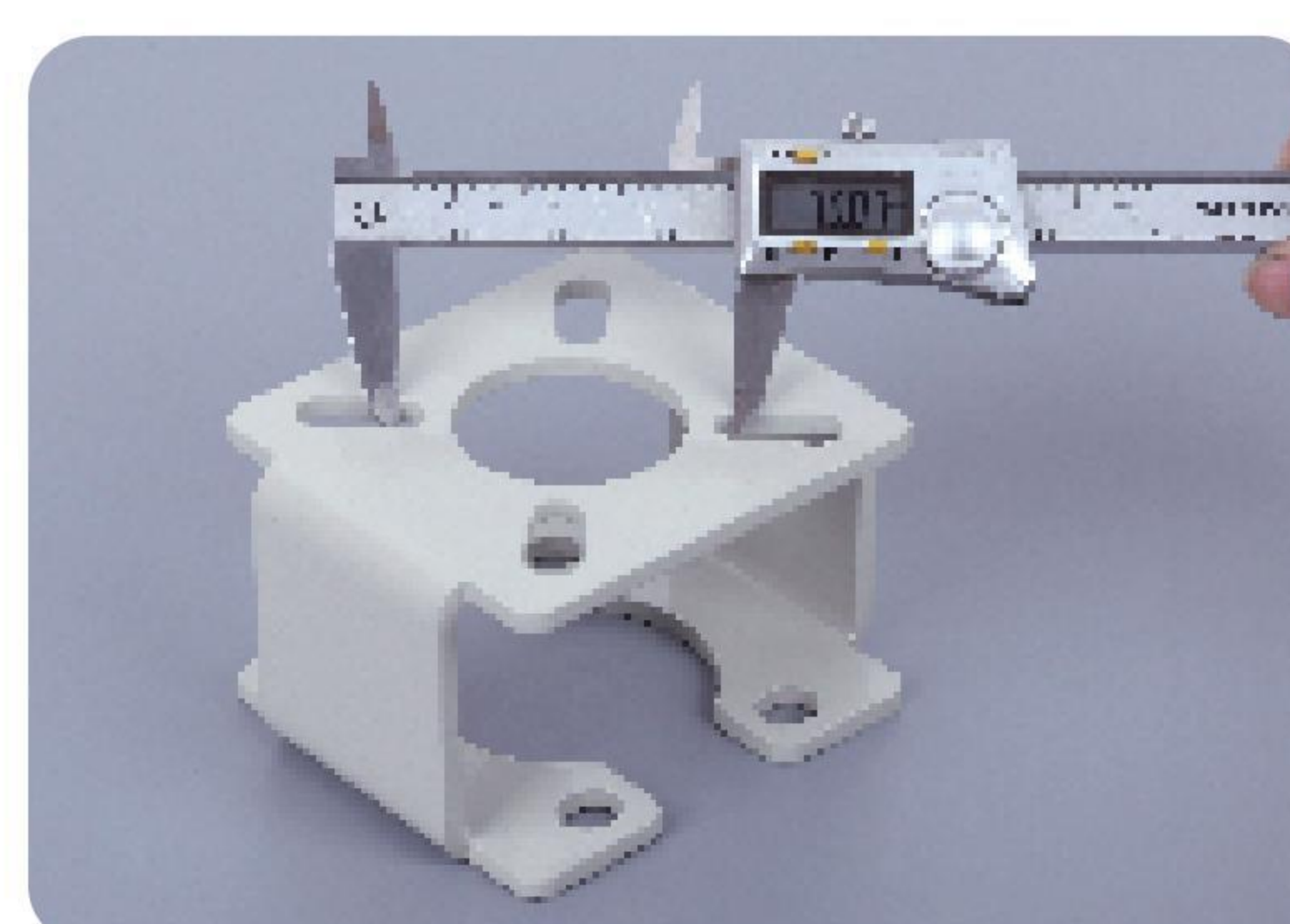
H Height



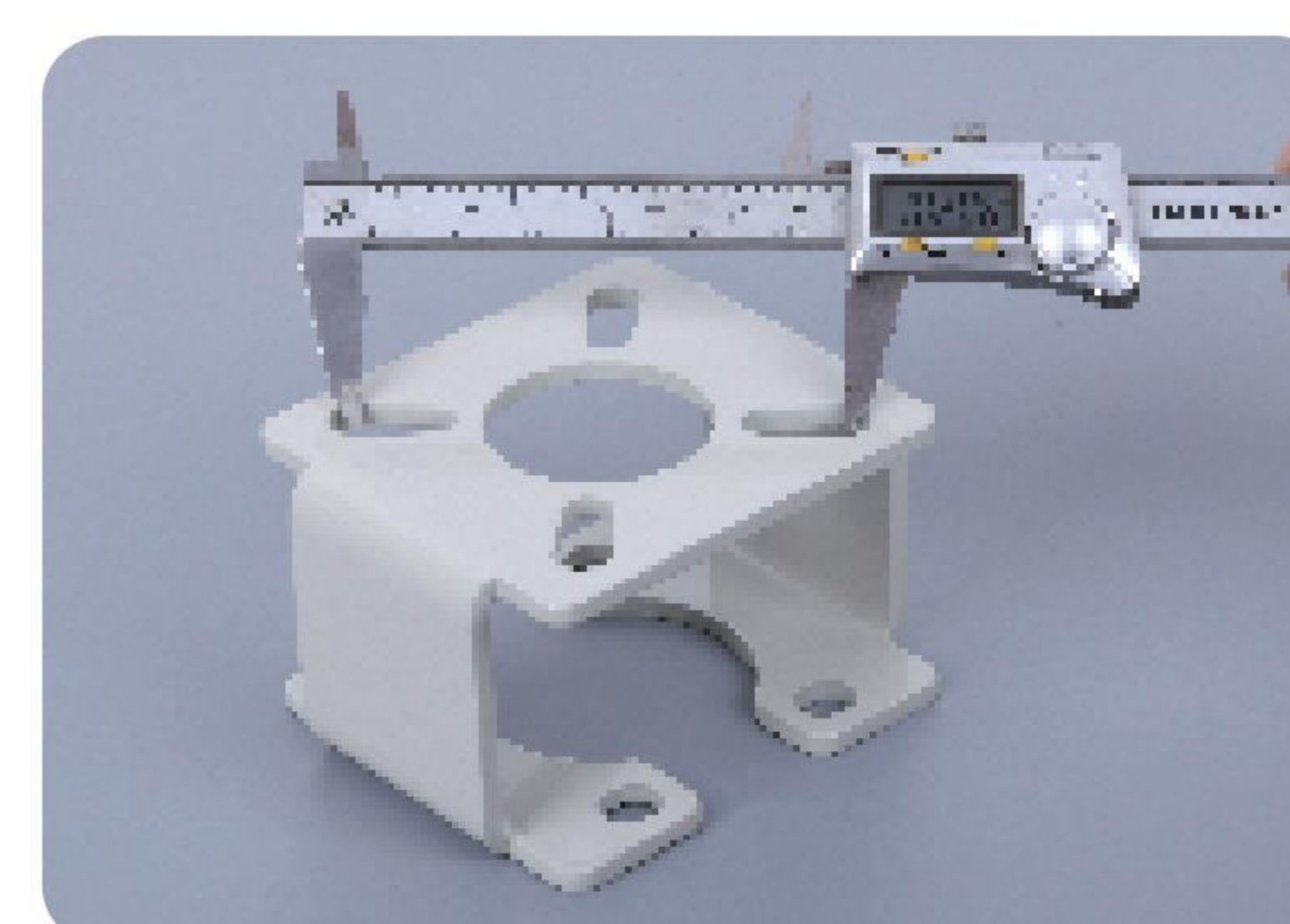
A' Lateral mounting hole position of valve



B' Vertical mounting hole position of valve



φ D1 Min mounting hole position of actuator



φ D2 Max mounting hole position of actuator

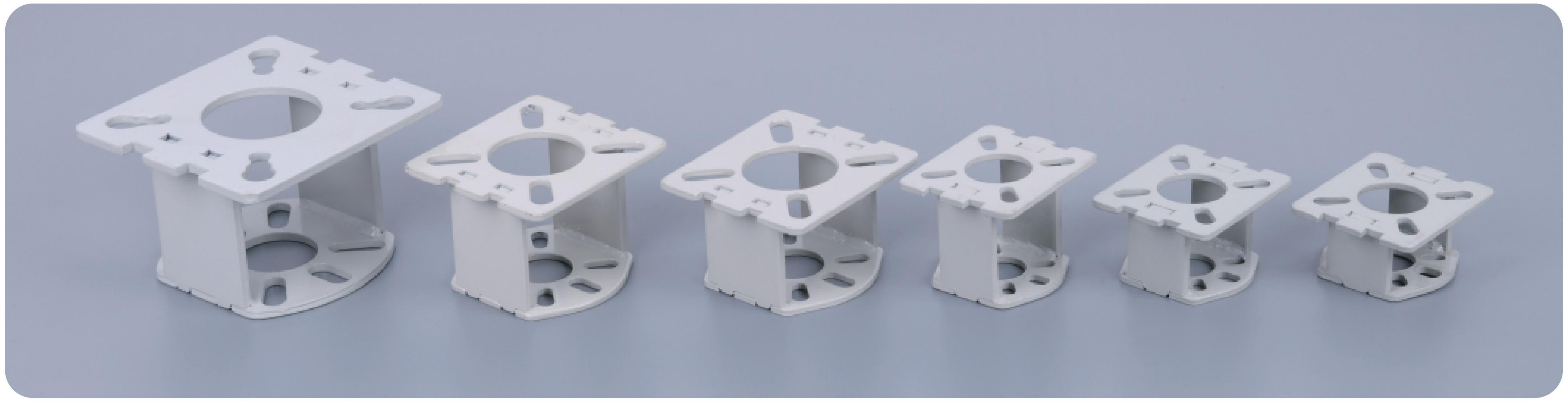
Copyright ownership belongs to **HEARKEN** shall not be reproduced, copied, or used in other ways without permission otherwise we will have the right to pursue legal responsibilities.

As we are continually developing our products, their design is subject to change without notice. Latest information is available on [info@hearkenflow.com](mailto:info@hearkenflow.com) [www.hfvalveactuator.com](http://www.hfvalveactuator.com)

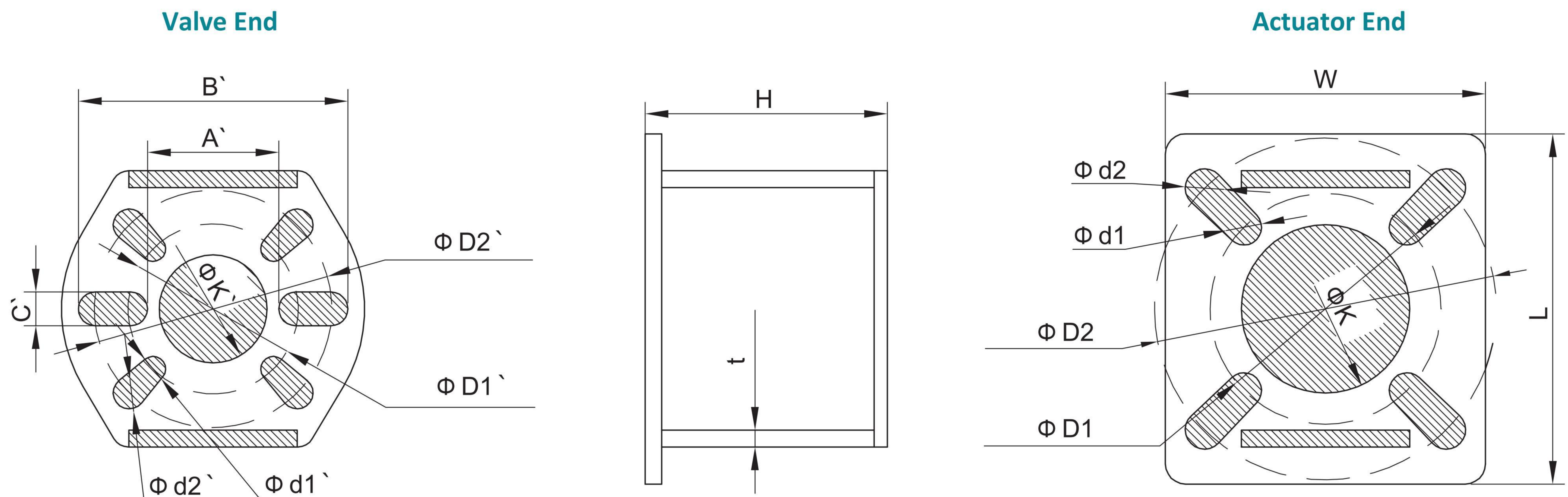
Rev. April 01, 2021



# Bigger and Smaller Side Ball Valve Carbon Steel Bracket

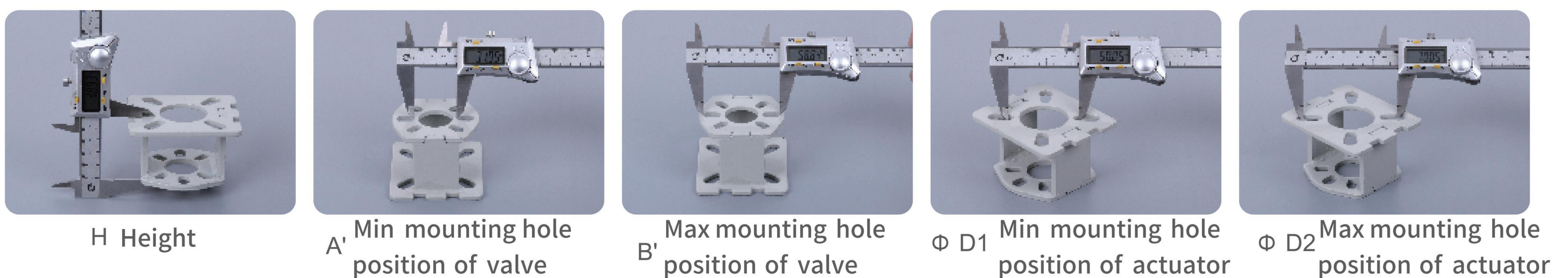


## Dimension in mm



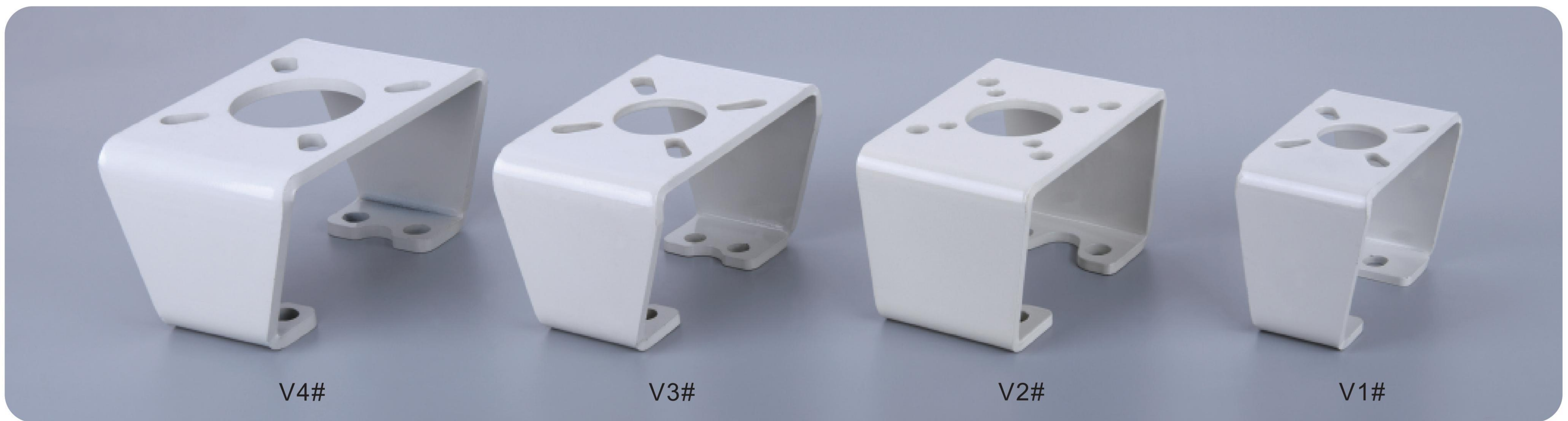
No	Model	Suitable for Valve Model	H	t	Valve End								Actuator End						Weight (Kg)	
					Φ K'	Φ D1'	Φ D2'	Φ d1'	Φ d2'	A'	B'	C'	Φ K'	Φ D1'	Φ D2'	Φ d1'	Φ d2'	L		W
1	T1#-35 (Welding Type)	DN15/20/25	35	5	26	39	50	6.5	7	32	58	8.5	35	50	70	7.5	9.5	82	70	0.28
2	T1#-40 (Welding Type)	DN15/20/25	40	5	26	39	50	6.5	7	32	58	8.5	35	50	70	7.5	9.5	82	70	0.3
3	T1#-48 (Welding Type)	DN15/20/25	48	5	26	39	50	6.5	7	32	58	8.5	35	50	70	7.5	9.5	82	70	0.32
4	T1#-62 (Welding Type)	DN15/20/25	62	5	26	39	50	6.5	7	32	58	8.5	35	50	70	7.5	9.5	82	70	0.36
5	T2#-62 (Welding Type)	DN32/40/50	62	5	32	50	70	7.5	9.5	39	79	9.8	43	70	102	9.2	11	105	95	0.56
6	T2#-72 (Welding Type)	DN32/40/50	72	5	32	50	70	7.5	9.5	39	79	9.8	43	70	102	9.2	11	105	95	0.62
7	T3#-72 (Welding Type)	DN65/80/100	72	6	43	65	102	10	12	49	102	13	62	102	140	13	18	140	130	1.2
8	T3#-90 (Welding Type)	DN65/80/100	90	6	43	65	102	10	12	49	102	13	62	102	140	13	18	140	130	1.4

## Key dimension Selection

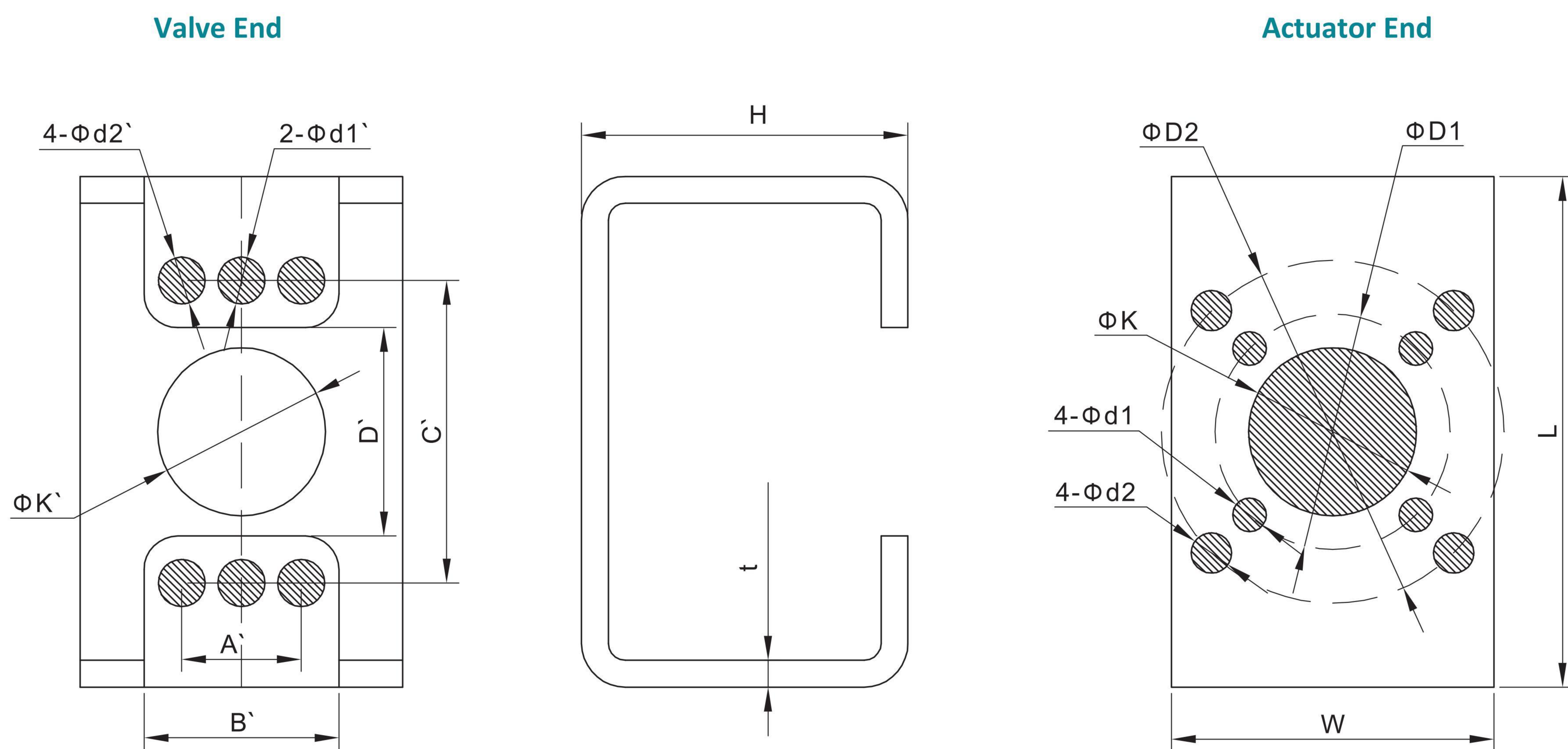




# V Type Ball Valve Carbon Steel Bracket

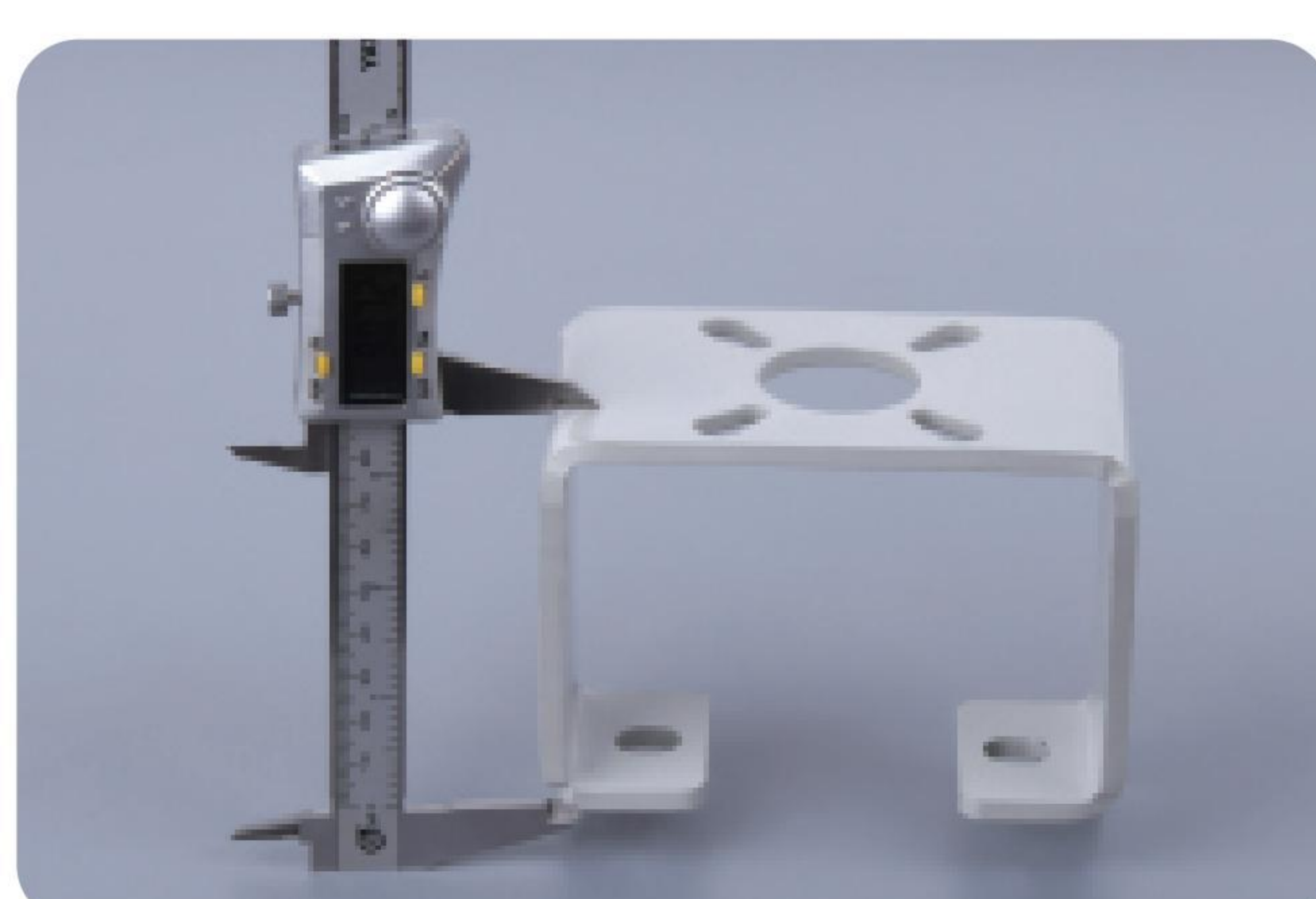


## Dimension in mm

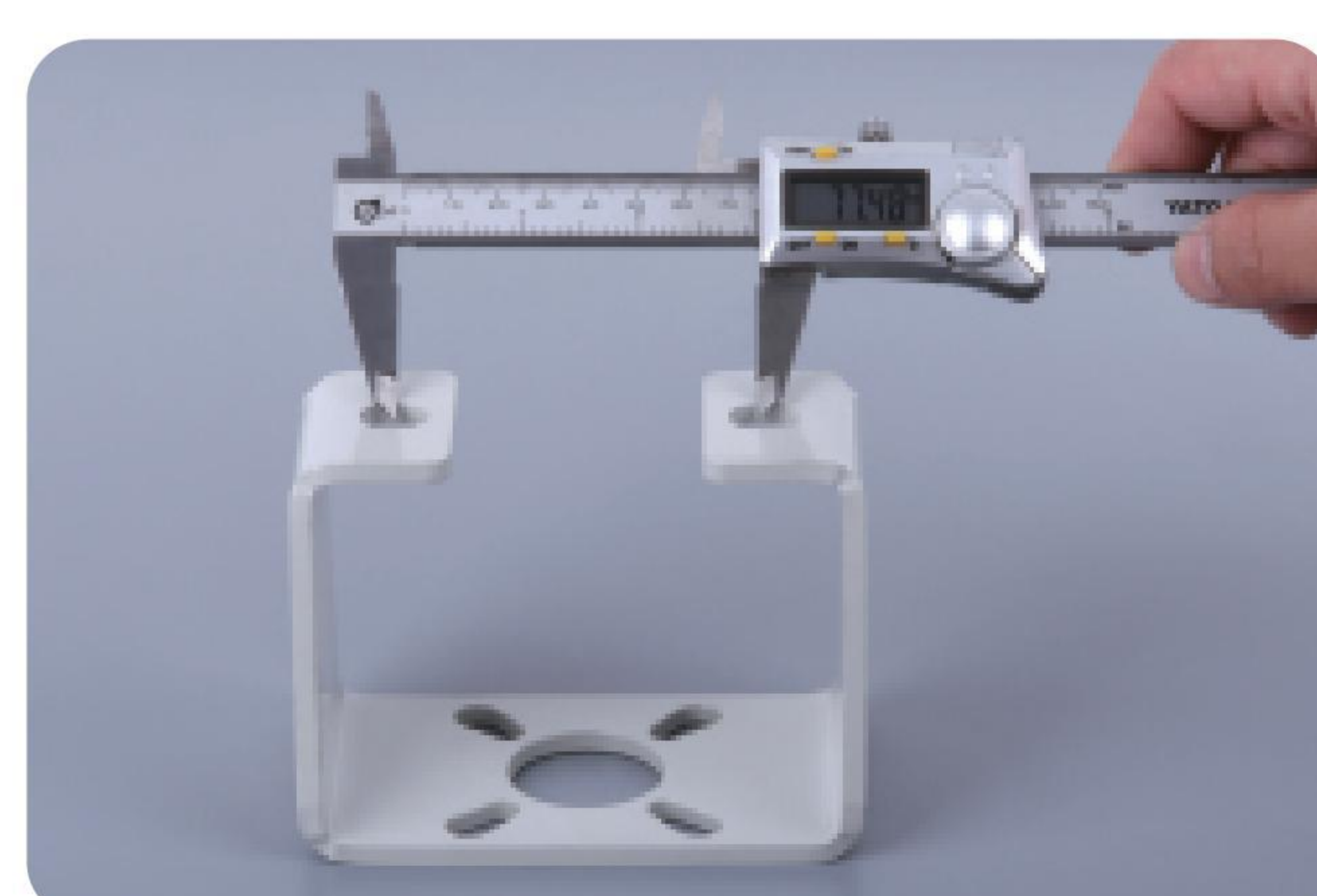


No	Model	Suitable for Valve Model	H	t	Valve End							Actuator End							Weight (Kg)
					Φ K'	Φ d1'	Φ d2'	A'	B'	C'	D'	Φ K'	Φ D1'	Φ D2'	Φ d1'	Φ d2'	L	W	
1	V1# (Bending Type)	DN32/40/50	105	5	42	12	/	/	50	80	56	42	70	/	10	/	135	70	/
2	V2# (Bending Type)	DN65/80/100	105	6	50	14	/	/	58	90	62	50	70	102	10	12	152	96	/
3	V3# (Bending Type))	DN125/150	125	8	70	/	14	40	75	110	80	70	102	125	11.5	13.5	180	118	/
4	V4# (Bending Type)	DN200	145	12	80	/	14	45	84	130	100	80	140	165	18	22	220	160	/

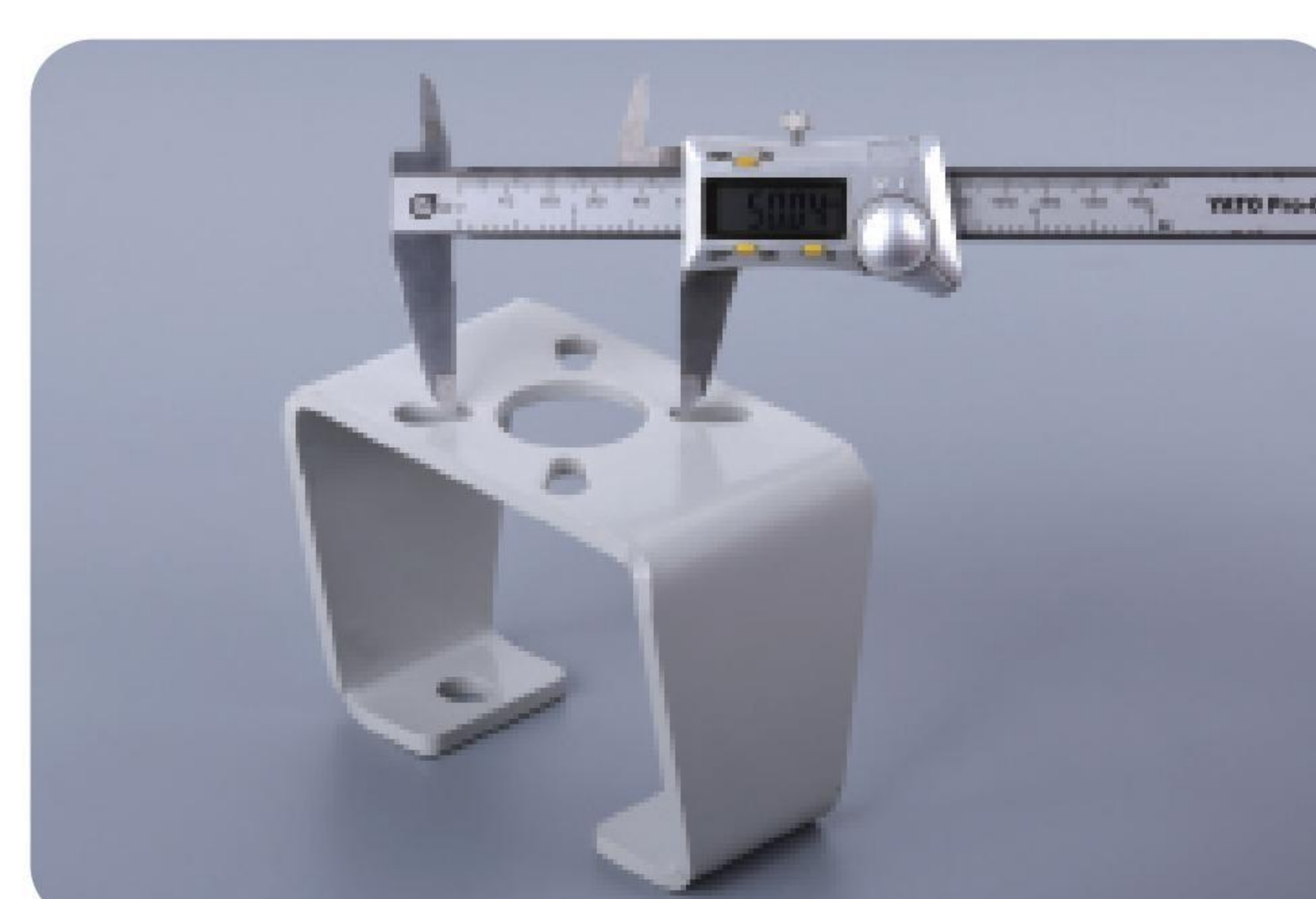
## Key dimension Selection



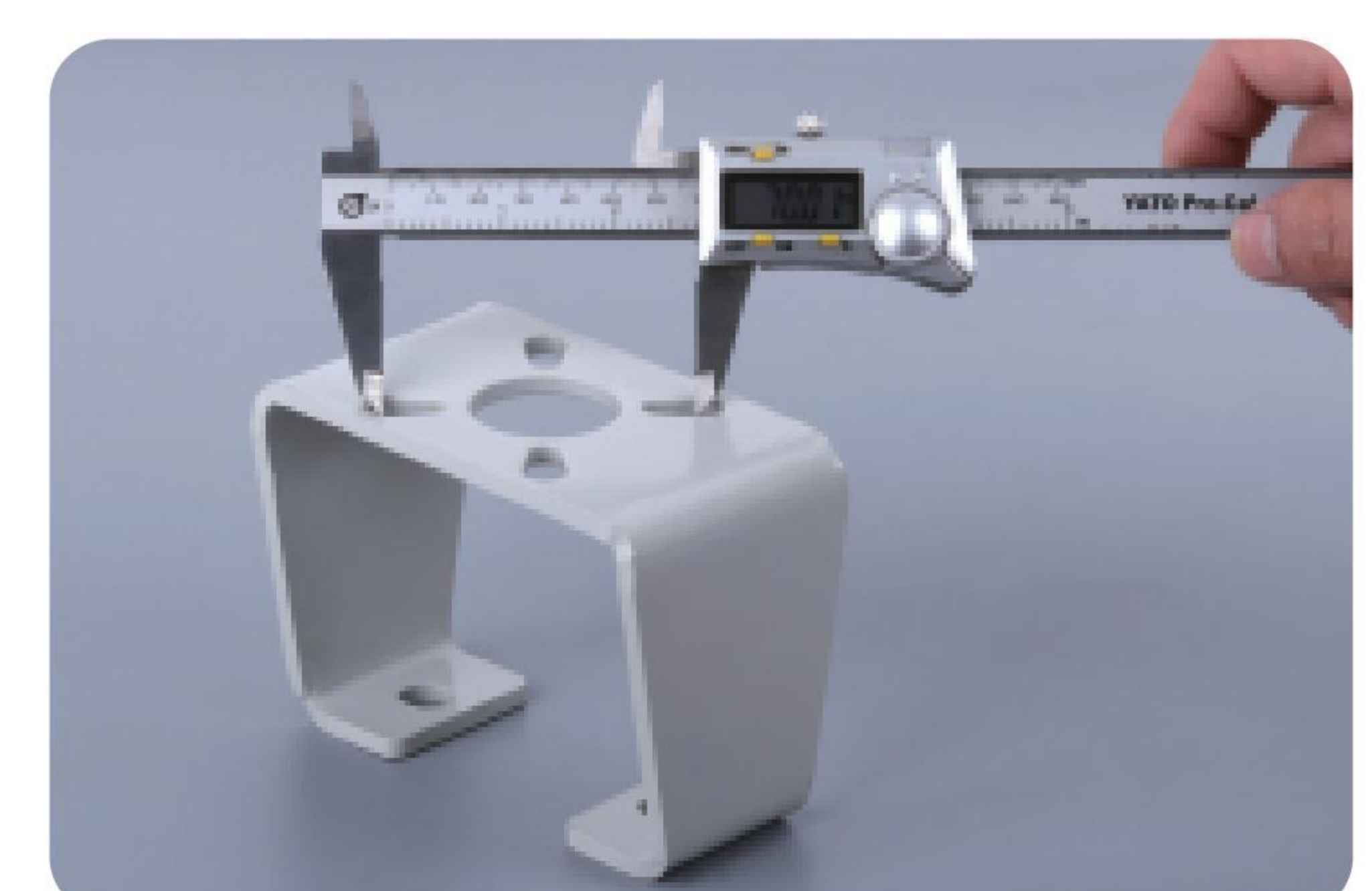
H Height



A',B',C' mounting hole position of valve



Φ D1 Min mounting hole position of actuator



Φ D2 Max mounting hole position of actuator

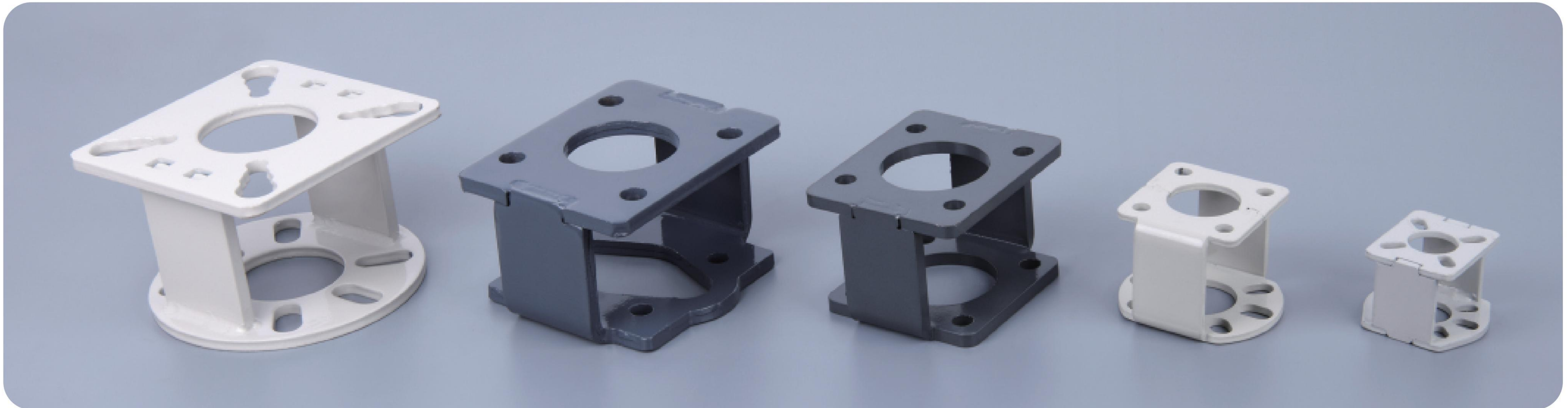
Copyright ownership belongs to **HEARKEN** shall not be reproduced, copied, or used in other ways without permission otherwise we will have the right to pursue legal responsibilities.

As we are continually developing our products, their design is subject to change without notice, Latest information is available on [info@hearkenflow.com](mailto:info@hearkenflow.com) [www.hfvalveactuator.com](http://www.hfvalveactuator.com)

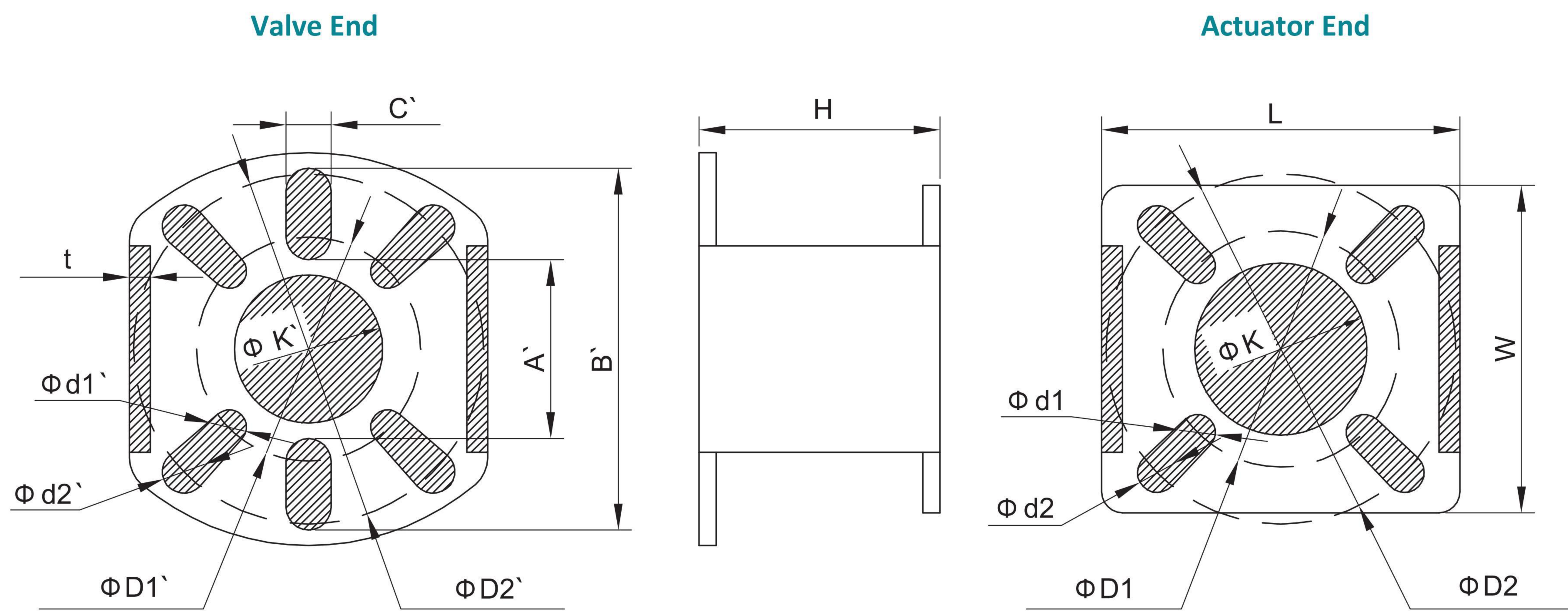
Rev. April 01, 2021



# Heavy Thickening Ball Valve Carbon Steel Bracket



## Dimension in mm



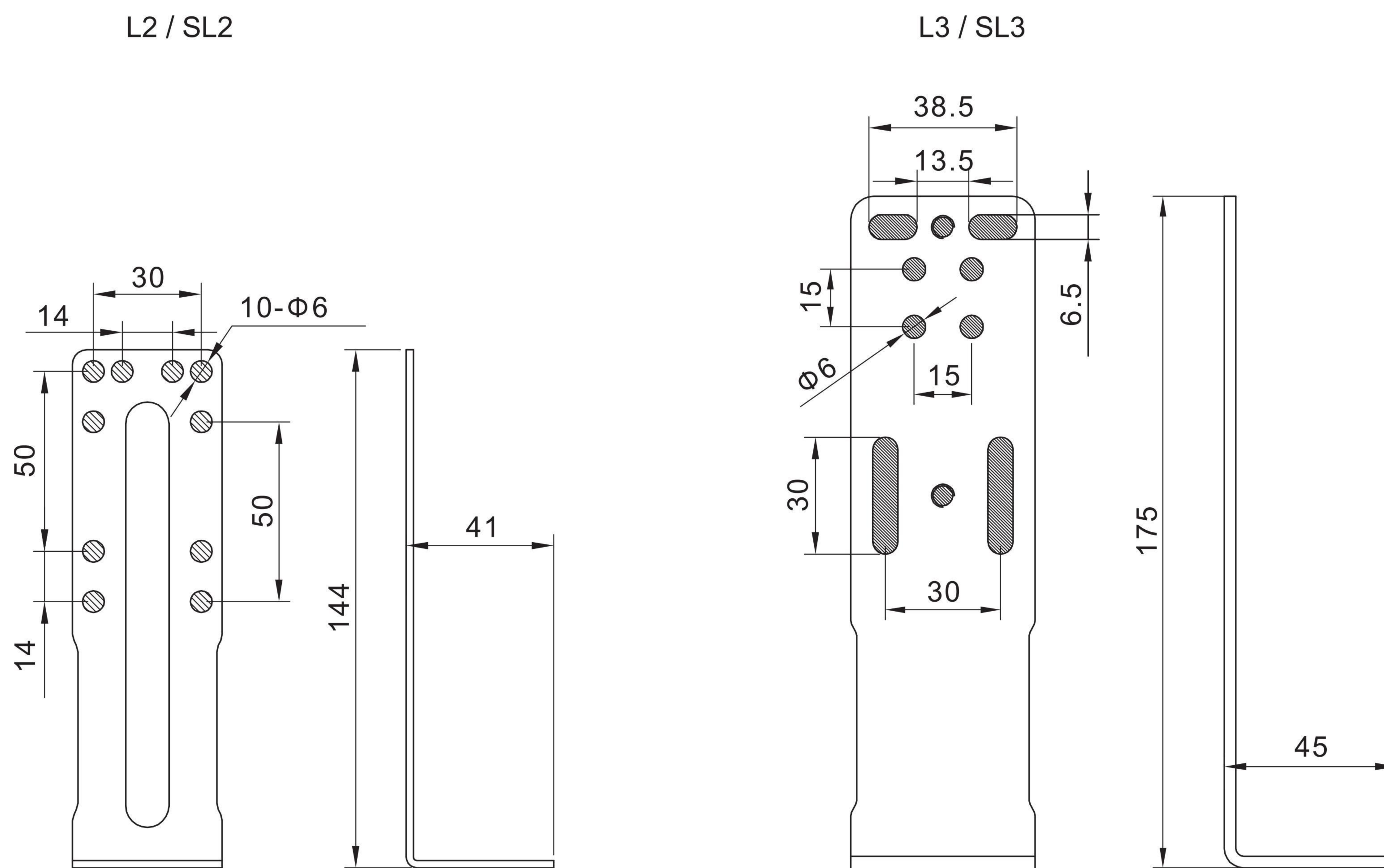
No	Model	Suitable for Valve Model	H	t	Valve End							Actuator End						Weight (Kg)		
					φ K'	φ D1'	φ D2'	φ d1'	φ d2'	A'	B'	C'	φ K'	φ D1'	φ D2'	φ d1'	φ d2'		L	W
1	Z1# (Welding Type)	DN15/20/25	35	5	26	39	50	6.5	7	32	58	8.5	35	50	70	7.5	9.5	82	70	0.28
2	Z2# (Welding Type)	DN15/20/25	40	5	26	39	50	6.5	7	32	58	8.5	35	50	70	7.5	9.5	82	70	0.3
3	Z3# (Welding Type)	DN15/20/25	48	5	26	39	50	6.5	7	32	58	8.5	35	50	70	7.5	9.5	82	70	0.32
4	Z4# (Welding Type)	DN15/20/25	62	5	26	39	50	6.5	7	32	58	8.5	35	50	70	7.5	9.5	82	70	0.36
5	Z5# (Welding Type)	DN32/40/50	62	5	32	50	70	7.5	9.5	39	79	9.8	43	70	102	9.2	11	105	95	0.56



# Filter Pressure Reducing Valve Carbon Steel Bracket



## Dimension in mm

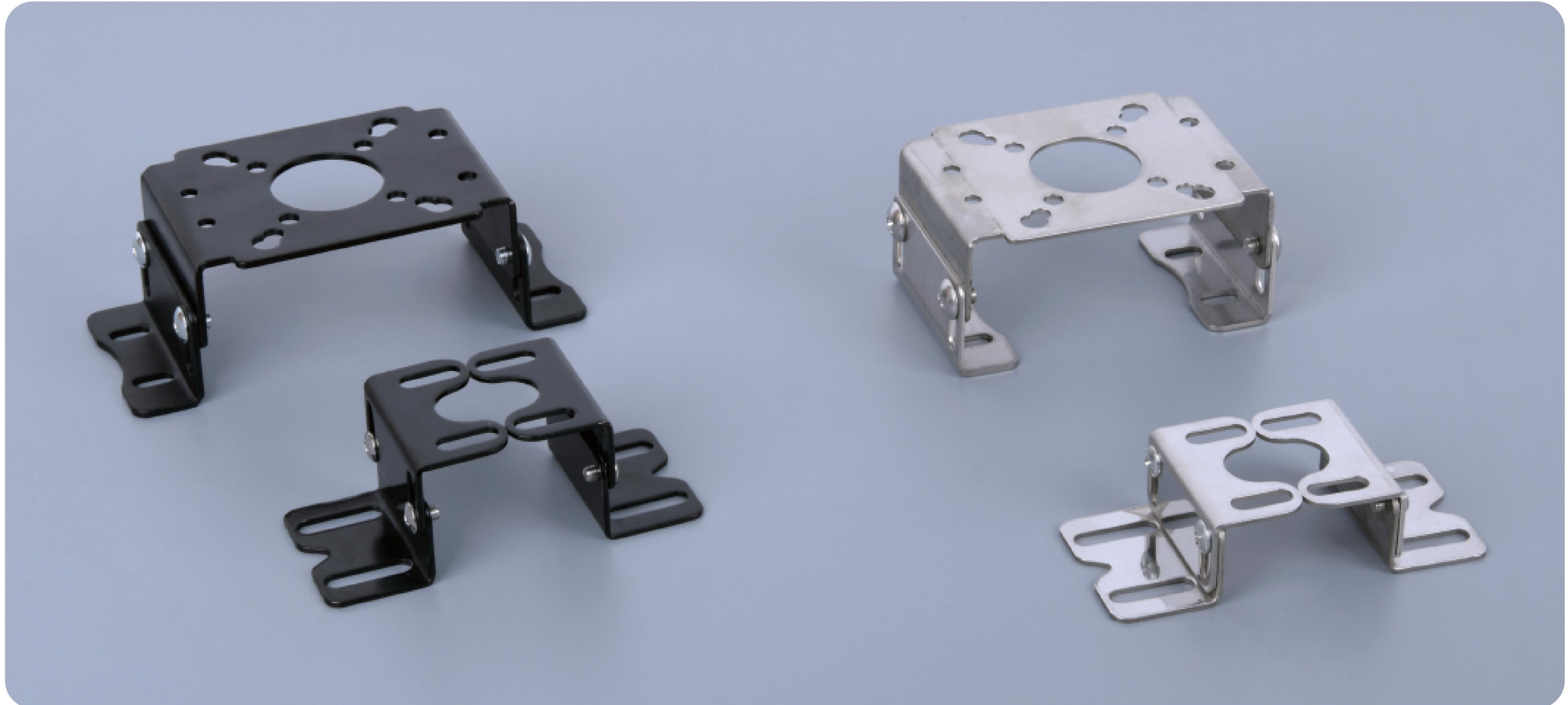


## Key dimension Selection

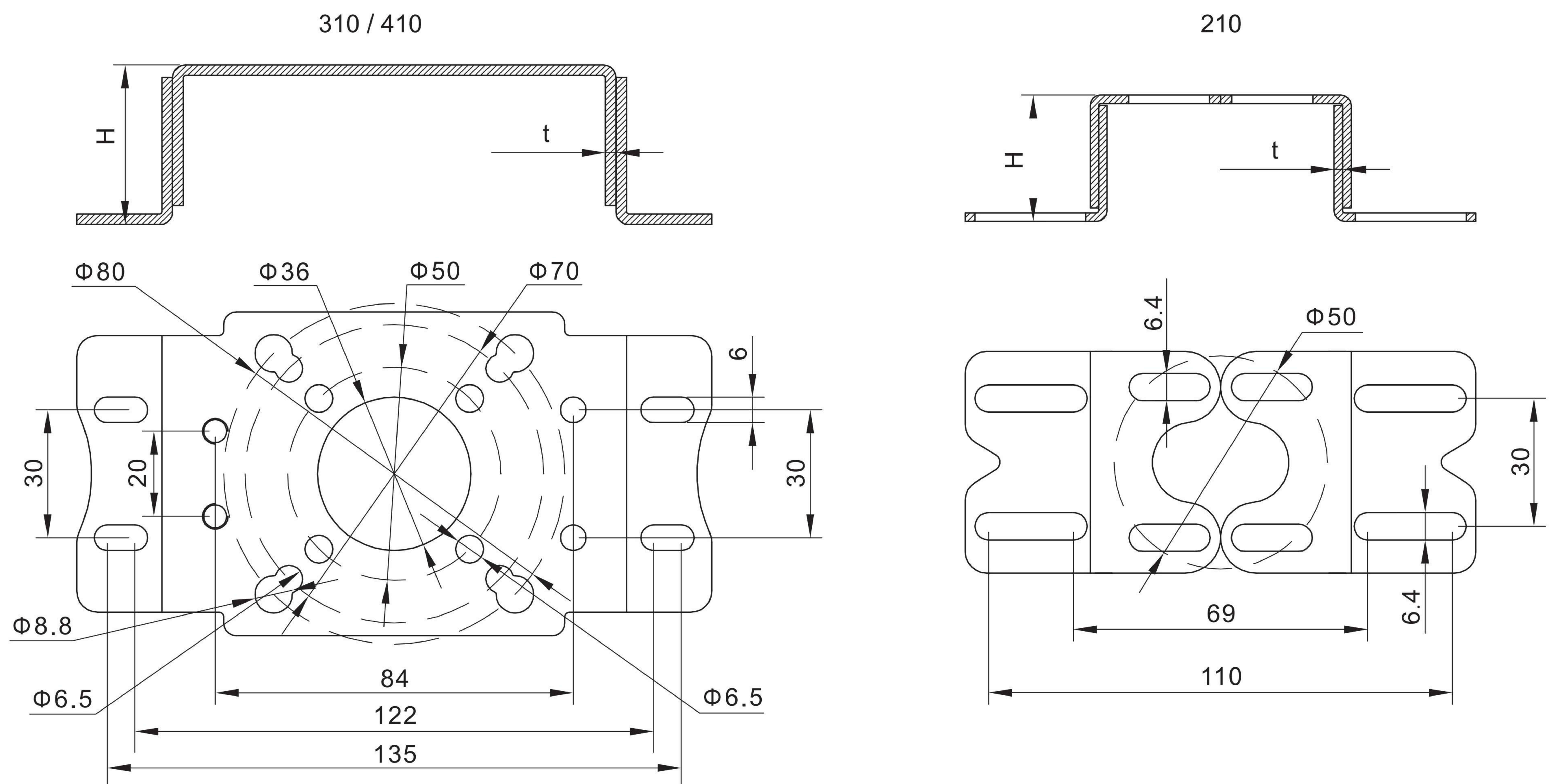
No.	Model	Suitable for Oil and Water Separator	H	t	Weight (kg)
1	L2 (Carbon Steel)	AFC-2000A/BFC-2000A/SMC-AW20/AW2000	144	2	0.12
2	SL2 (304 Mirror Stainless Steel)	AFC-2000A/BFC-2000A/SMC-AW20/AW2000	144	2	0.12
3	L3 (Carbon Steel)	AFC-2000A/BFC-3000A/SMC-AW20/SMC-AW30/YTC-20/T50/AW3000	175	3	0.22
4	SL3 (304 Mirror Stainless Steel)	AFC-2000A/BFC-3000A/SMC-AW20/SMC-AW30/YTC-20/T50/AW3000	175	2.5	0.18



# Signaling Switch Bracket



## Dimension in mm



## Key dimension Selection

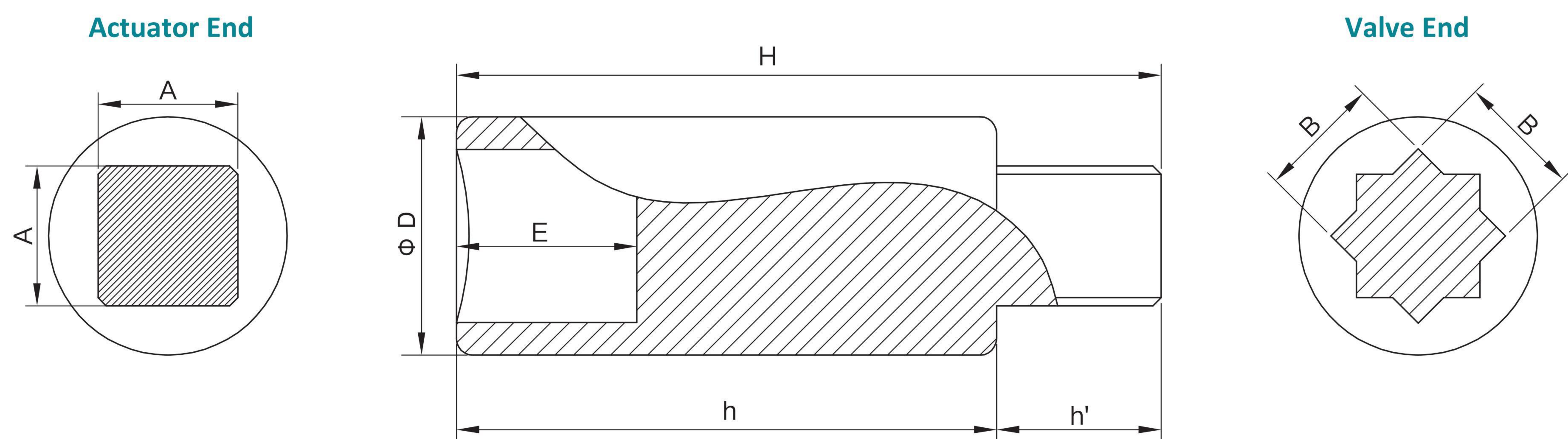
No.	Model	Suitable for Oil and Water Separator	H	t	Weight (kg)
1	210 (Ordinary Iron)	210 Signal Feedback Unit	29~43	2	0.14
2	S210 (304 Mirror Stainless Steel)	210 Signal Feedback Unit	29~43	2	0.2
3	410 (Ordinary Iron)	310/410 Signal Feedback Unit	37~52	2.5	0.32
4	S410 (304 Mirror Stainless Steel)	310/410 Signal Feedback Unit	37~52	2	0.35



# High Platform Ball Valve Coupling

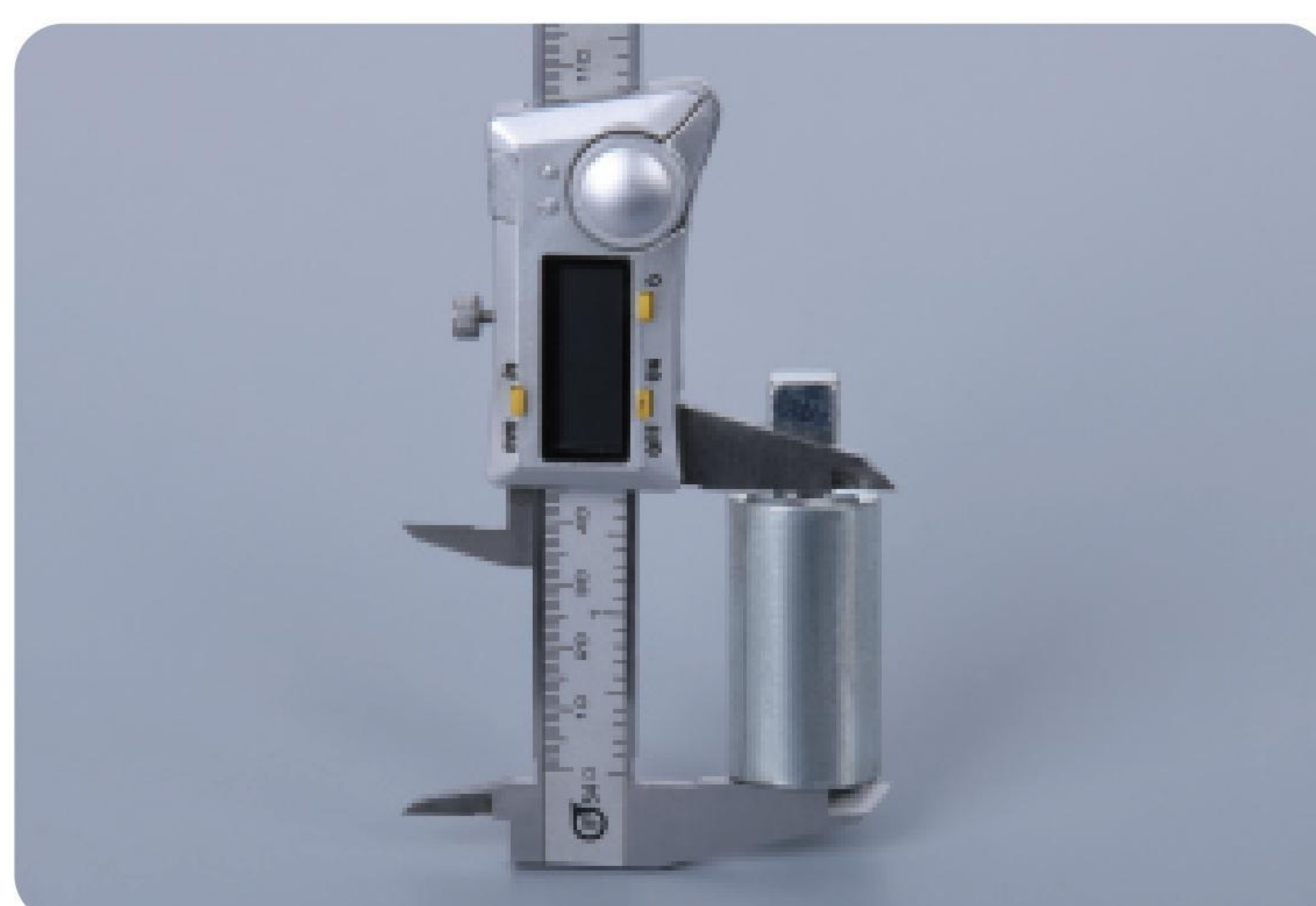


## Dimension in mm

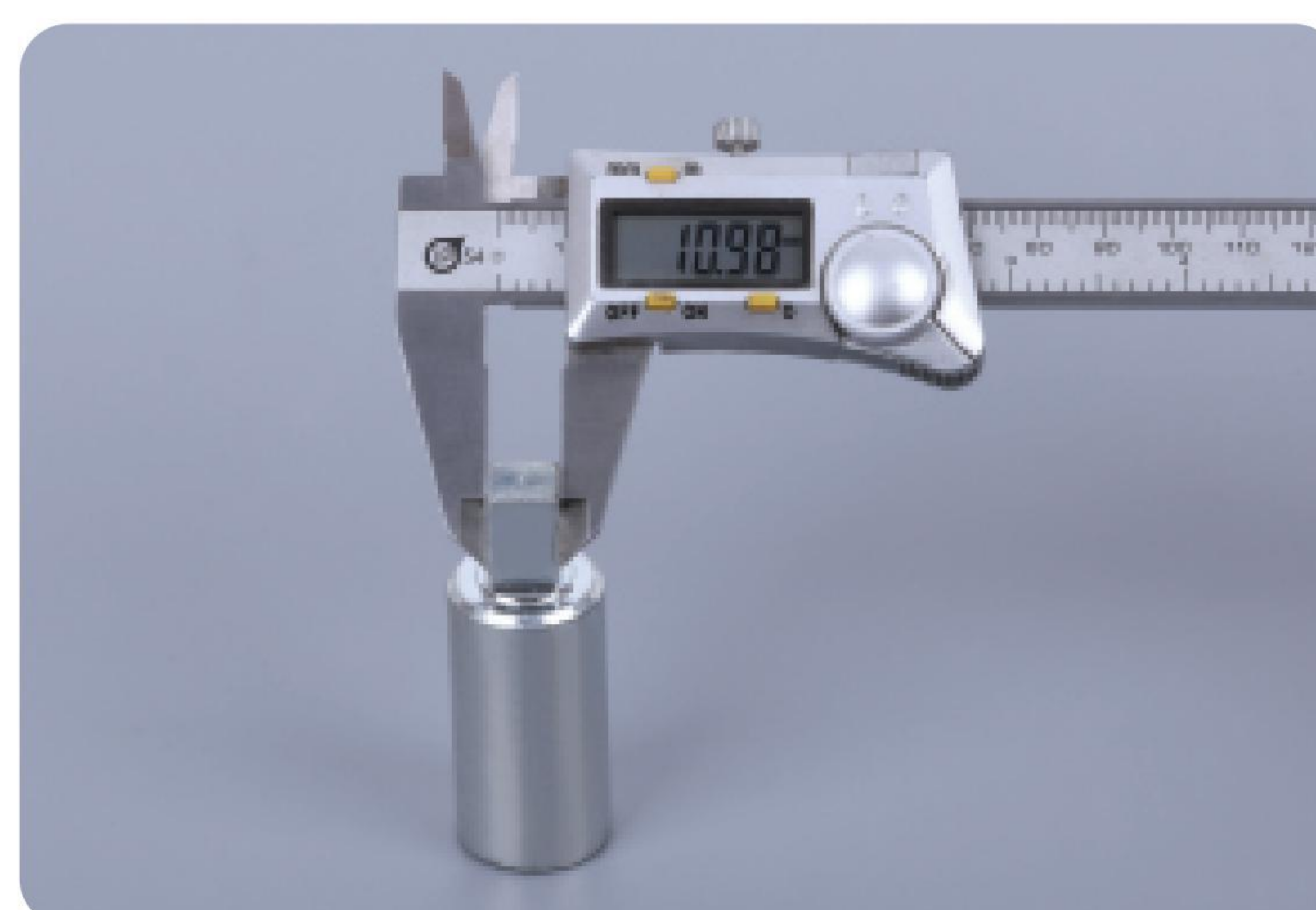


No.	Model (A x B - h)	Suitable for Valve Model	Total Height	Beam Barrel Height	Outer Dimension $\phi D$	Actuator End		Valve End		Weight Kg)
						h	A x A	B x B	E	
1	11 x 11-46	DN20	62	46	25	16	11 x 11	11 x 11	16	0.16
2	14 x 14-60	DN40/50	82	60	30	22	14 x 14	14 x 14	18	0.3
3	17 x 17-72	DN65	100	72	35	28	17 x 17	17 x 17	25	0.55
4	22 x 22-72	DN80/100	105	72	40	33	22 x 22	22 x 22	30	0.7
5	14 x 11-31	DN20	52	31	25	21	14 x 14	11 x 11	20	0.15
6	14 x 14-31	DN40/50	52	31	25	21	14 x 14	14 x 14	20	0.13
7	11 x 9-46	DN15	62	46	25	16	11 x 11	9 x 9 + Adaptor	16	0.2
8	11 x 14-46	DN40/50	62	46	25	16	11 x 11	14 x 14	20	0.14
9	14 x 11-46	DN20	62	46	25	16	14 x 14	11 x 11	20	0.16
10	14 x 14-46	DN40/50	62	46	25	16	14 x 14	14 x 14	20	0.15
11	14 x 14-60	DN40/50	82	60	25	22	14 x 14	14 x 14	20	0.21
12	17 x 14-43	DN40/50	62	43	25	19	17 x 17	14 x 14	20	0.16
13	17 x 14-62	DN40/50	82	62	25	20	17 x 17	14 x 14	20	0.25

## Key dimension Selection



h Height



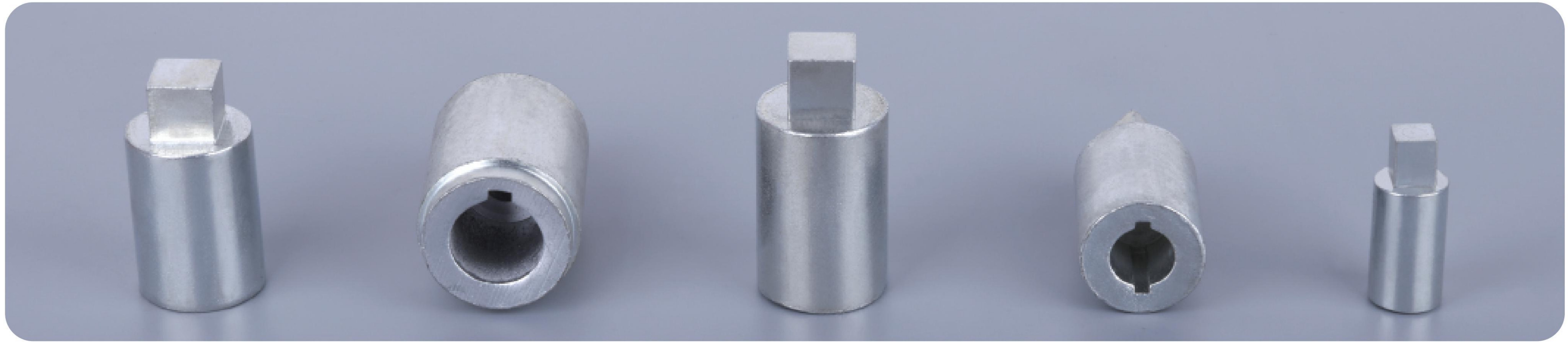
A Mounting hole position of actuator



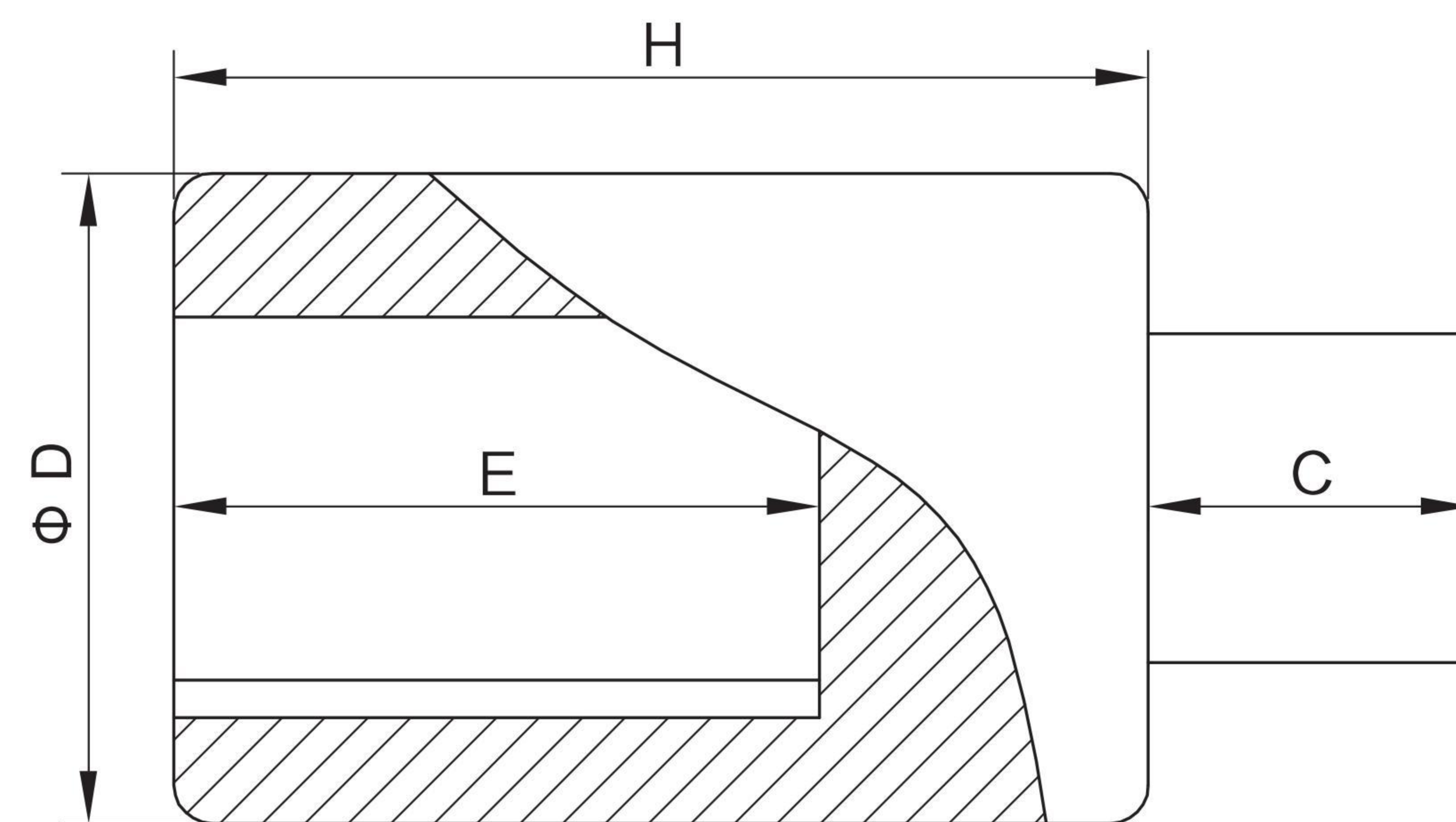
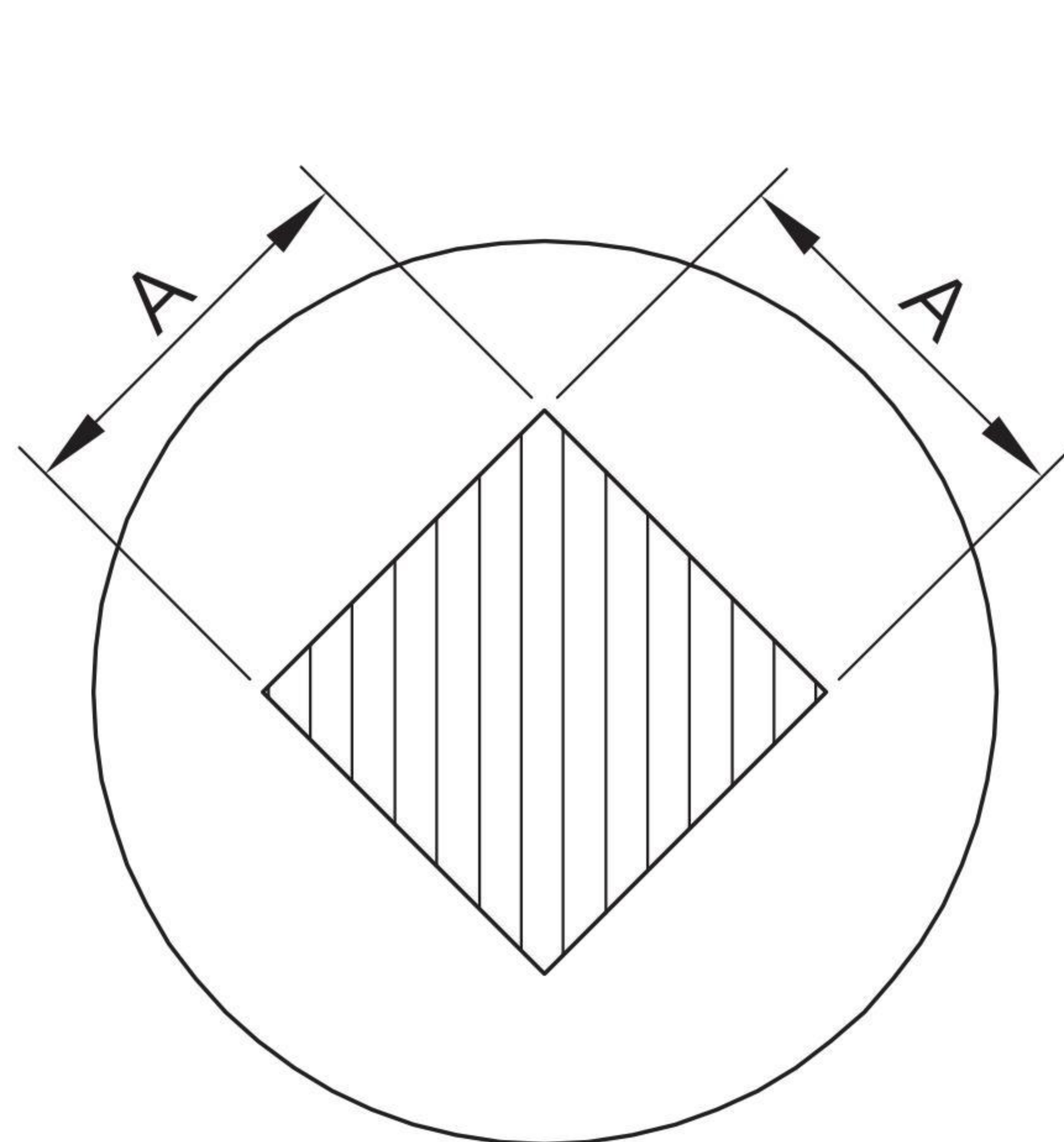
B Mounting hole position of Valve



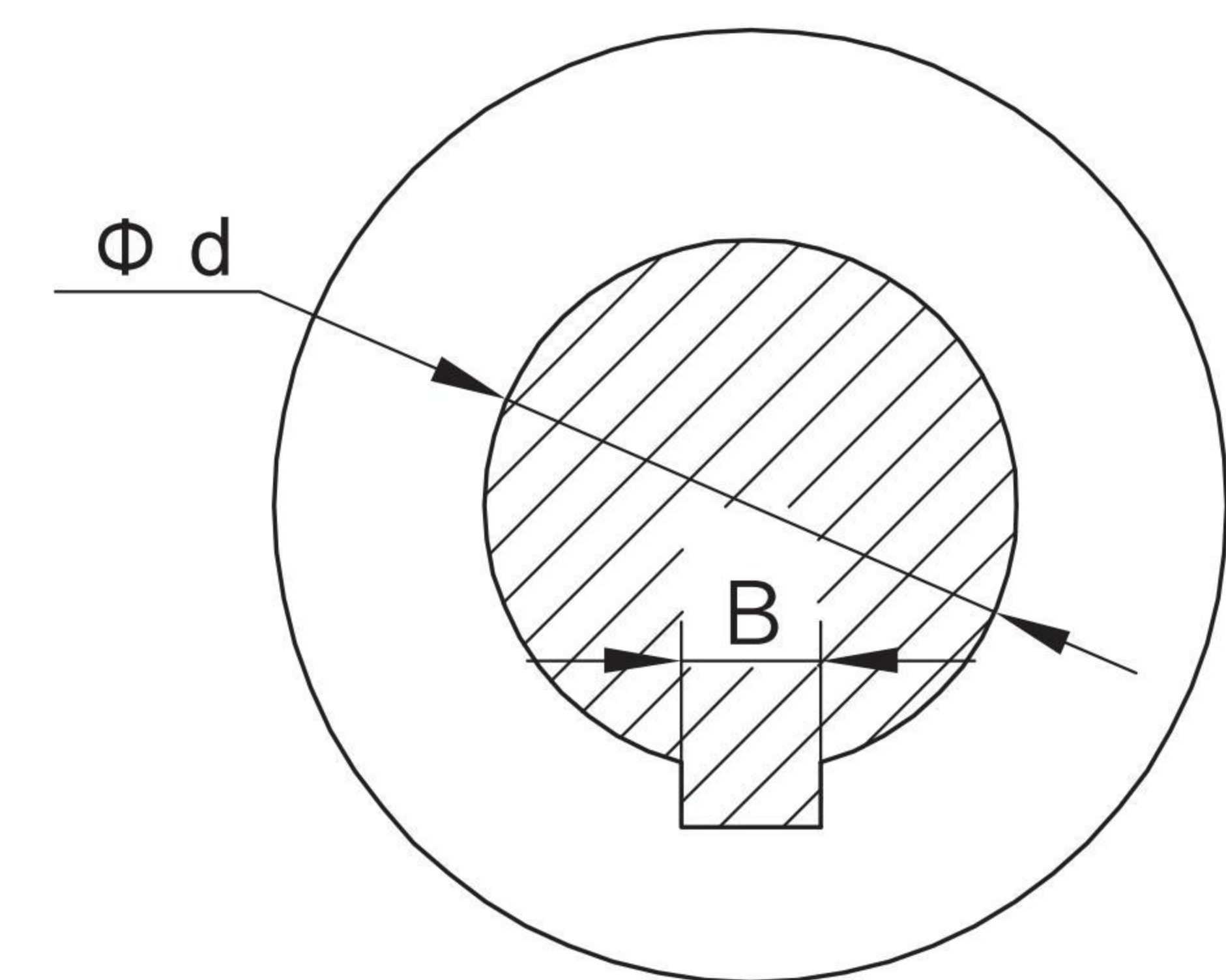
# Pneumatic Butterfly Valve Coupling



Actuator End



Valve End

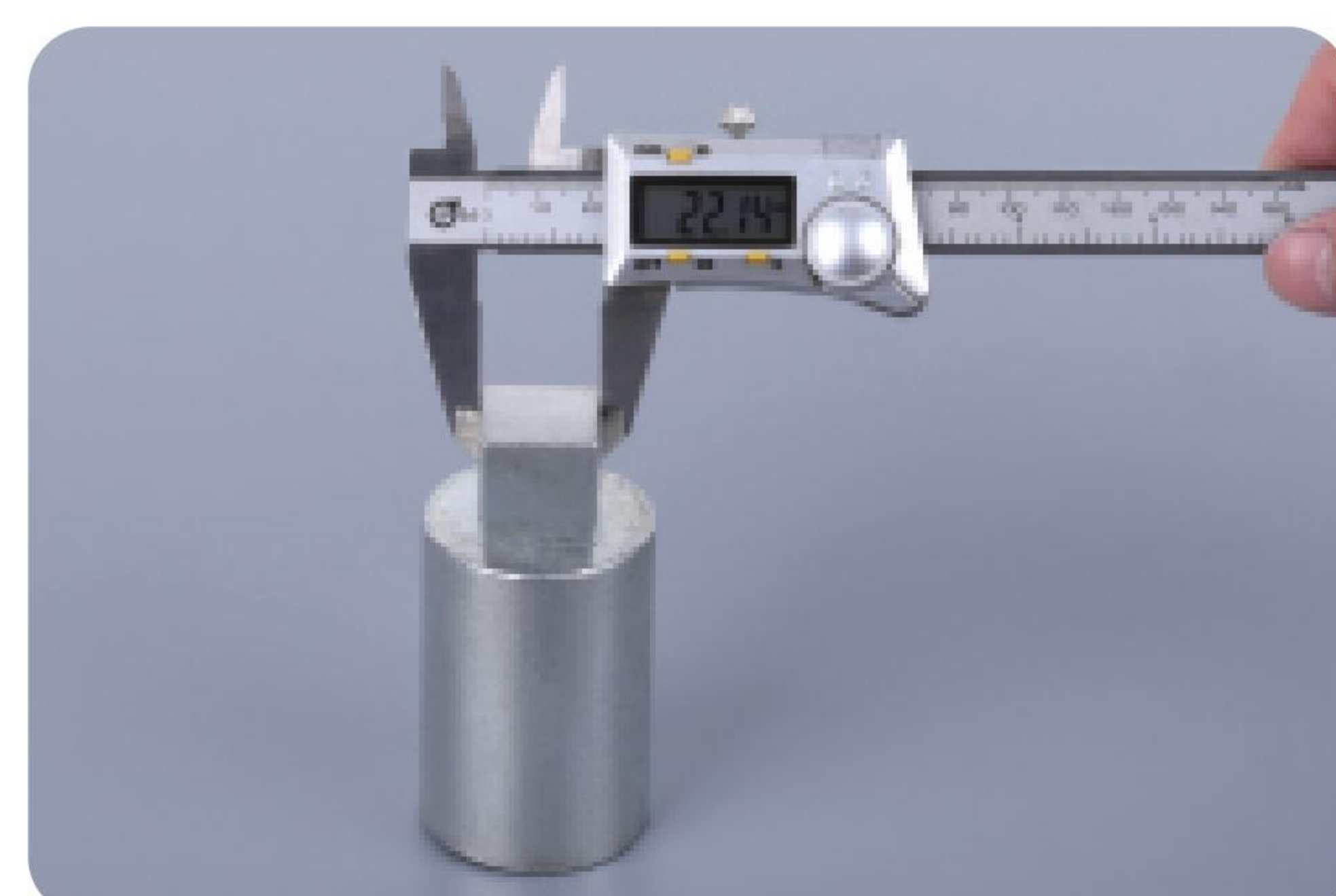


No.	Model (A x $\phi$ d)	Suitable for Valve Model	Height (H)	Outer Dimension $\phi$ D	Actuator End		Valve End			Weight (Kg)
					C	A x A	Stem $\phi$ d	Keyway B	E	
1	14 x $\phi$ 12.7	DN40/50/65/80	45	25	16	14 x 14	12.7	3	25	0.2
2	17 x $\phi$ 15.8	DN100	50	31	20	17 x 17	15.8	5	31	0.3
3	17 x $\phi$ 19	DN125	50	31	20	17 x 17	19	5	30	0.3
4	22 x $\phi$ 19	DN150	60	43	24	22 x 22	19	5	28	0.7
5	22 x $\phi$ 22	DN200	62	43	23	22 x 22	22	5	33	0.7
6	22 x $\phi$ 28.5	DN250	68	45	23	22 x 22	28.5	8	35	0.8
7	27 x $\phi$ 31.7	DN350	80	54	25	27 x 27	31.7	8	52	1.3
8	27 x $\phi$ 33.1	DN400	80	55	25	27 x 27	33.1	10	52	1.4
9	27 x $\phi$ 38	DN450	80	55	25	27 x 27	38	10	52	1.2
10	27 x $\phi$ 41	DN500	80	55	25	27 x 27	41	10	50	1.2

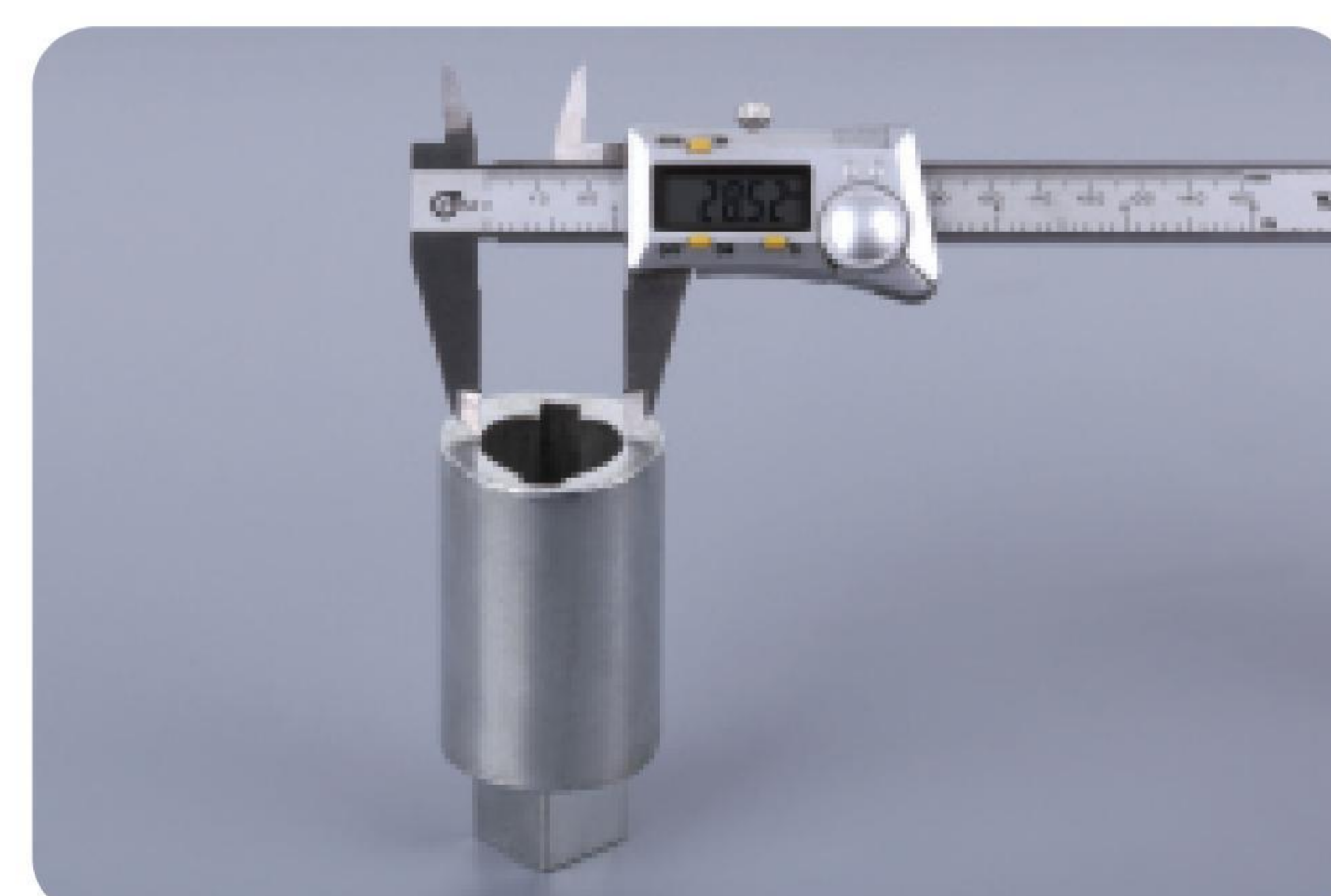
## Key dimension Selection



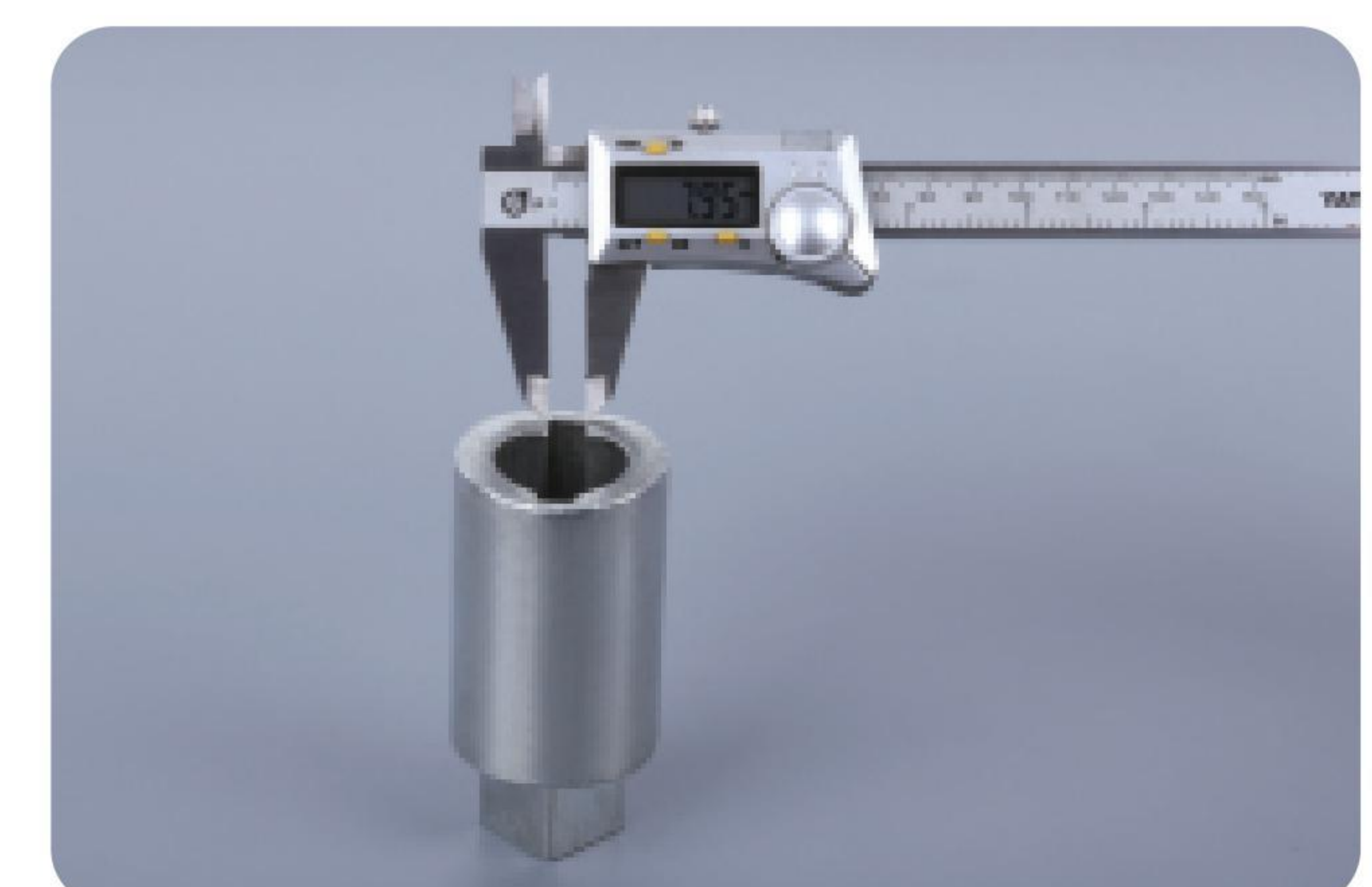
H Height



A Mounting hole position of actuator



$\Phi$  d Stem Outer Diameter



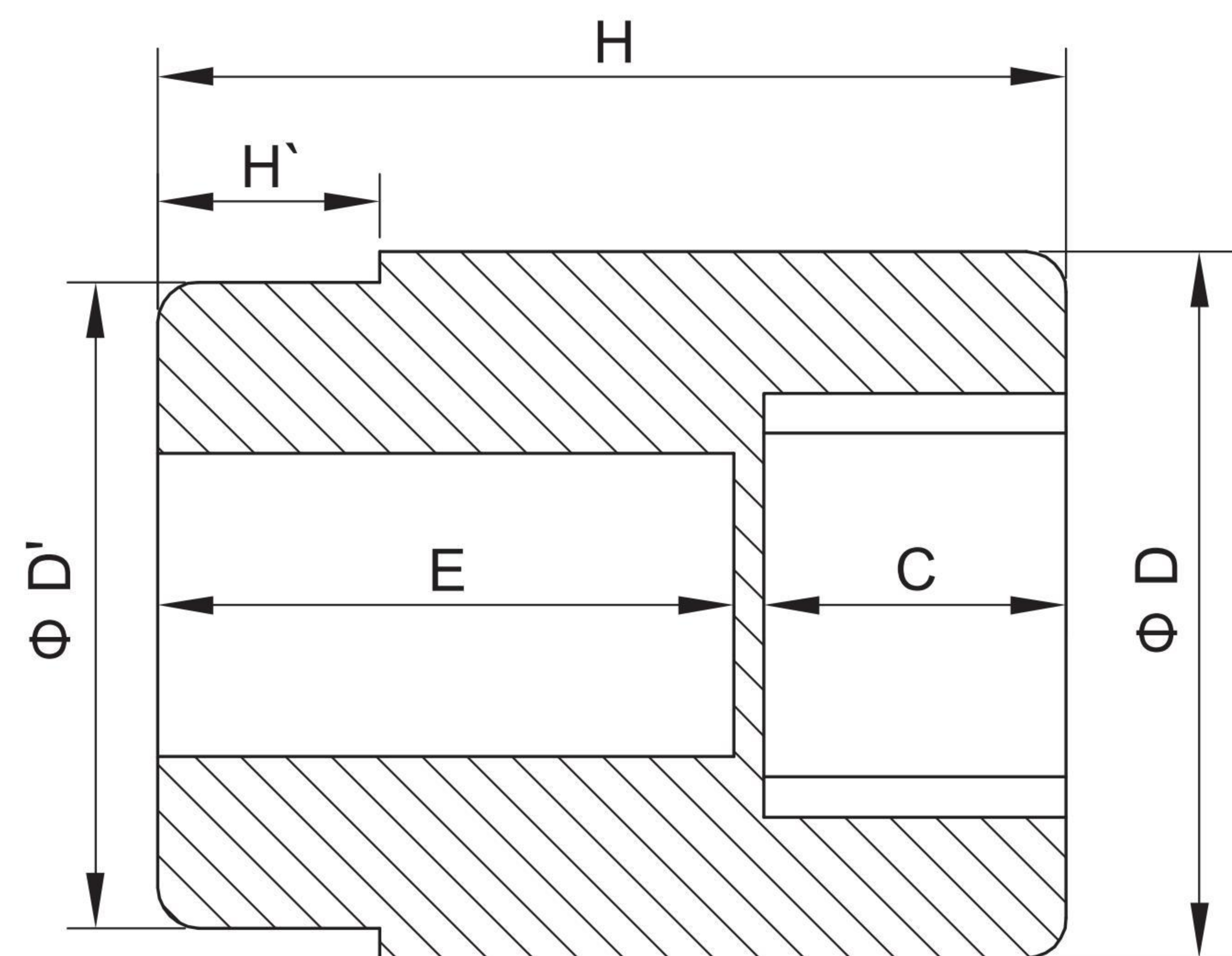
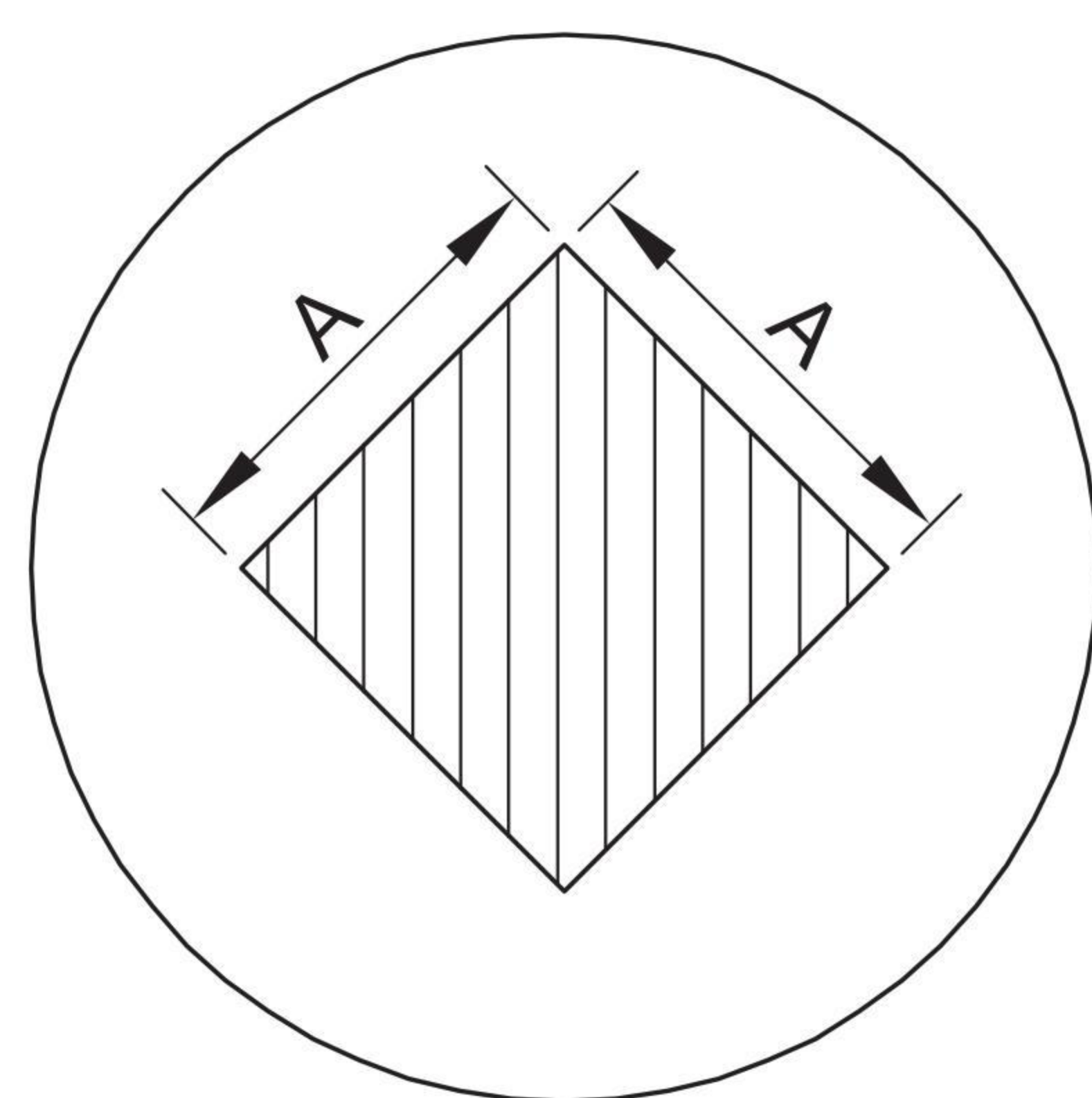
B Keyway



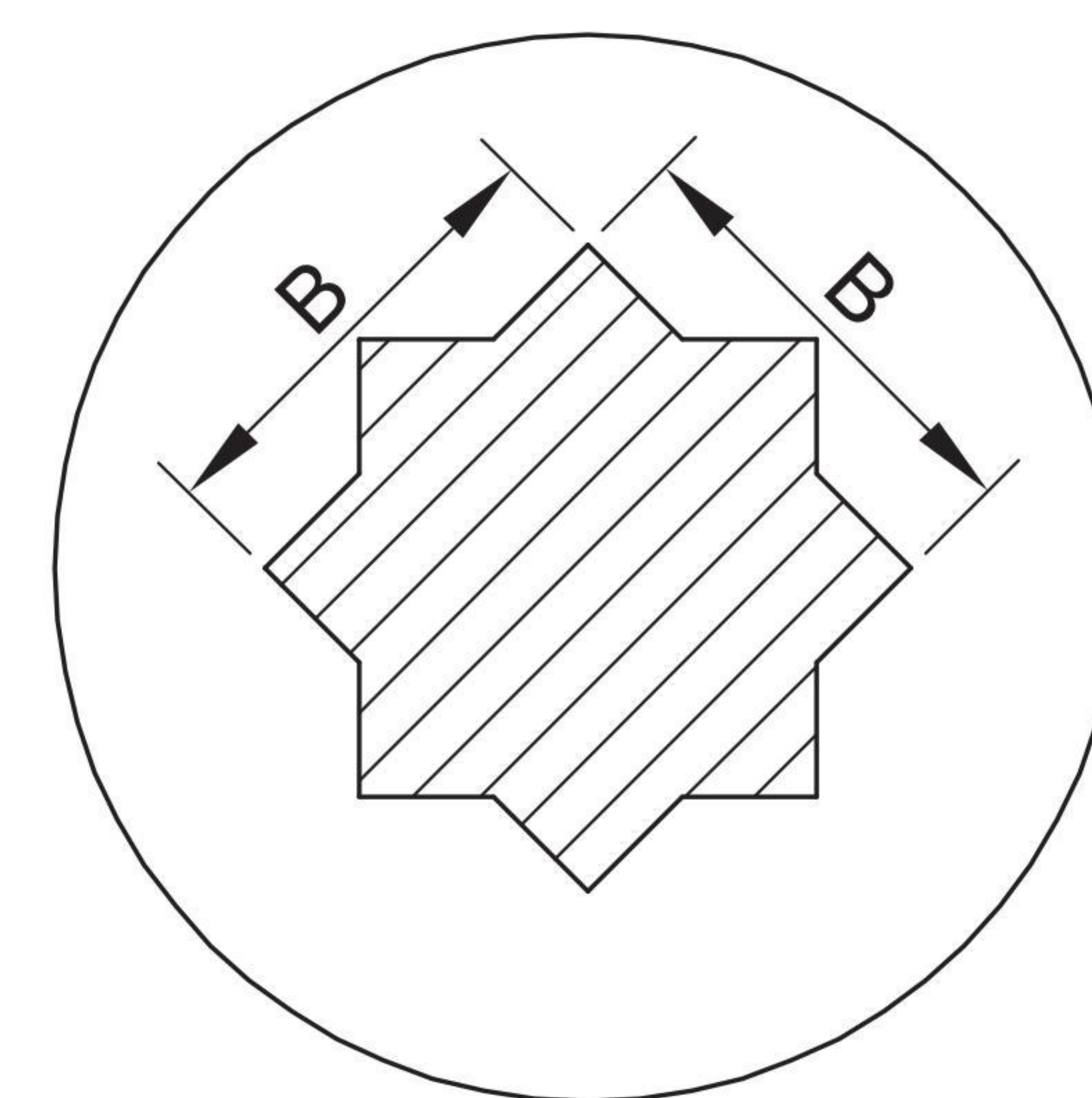
# Electric Free Bracket Coupling



Actuator End



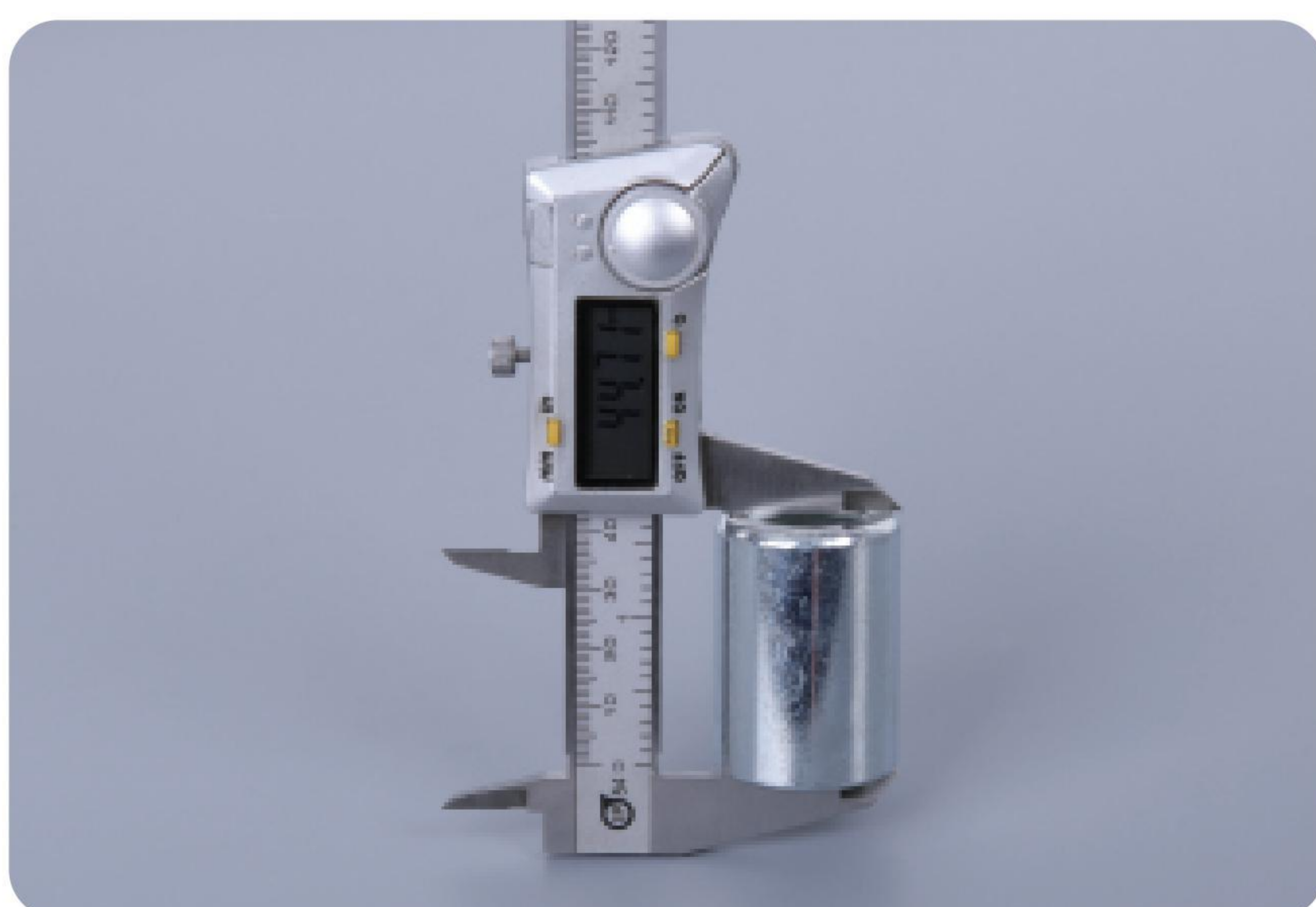
Valve End



●内八角是由两个正方形 45 度交叉组成。

No.	Model (A x B - h)	Suitable for Valve Model	H	φD	φD'	H'	Actuator End		Valve End		Weight (Kg)
							C	A x A	B x B	E	
1	12 x 11	DN25	35	25	/	/	15	12 x 12	11 x 11	15	0.1
2	12 x 14	DN25	35	30	25	10	13	12 x 12	14 x 14	16	0.13
3	15 x 17	DN50	45	35	33	10	16	15 x 15	17 x 17	22	0.235
4	23 x 17	DN65	67	45	/	/	23	23 x 23	17 x 17	37	0.65
5	23 x 22	DN100	67	45	/	/	23	23 x 23	22 x 22	37	0.6

## Key dimension Selection



H Height



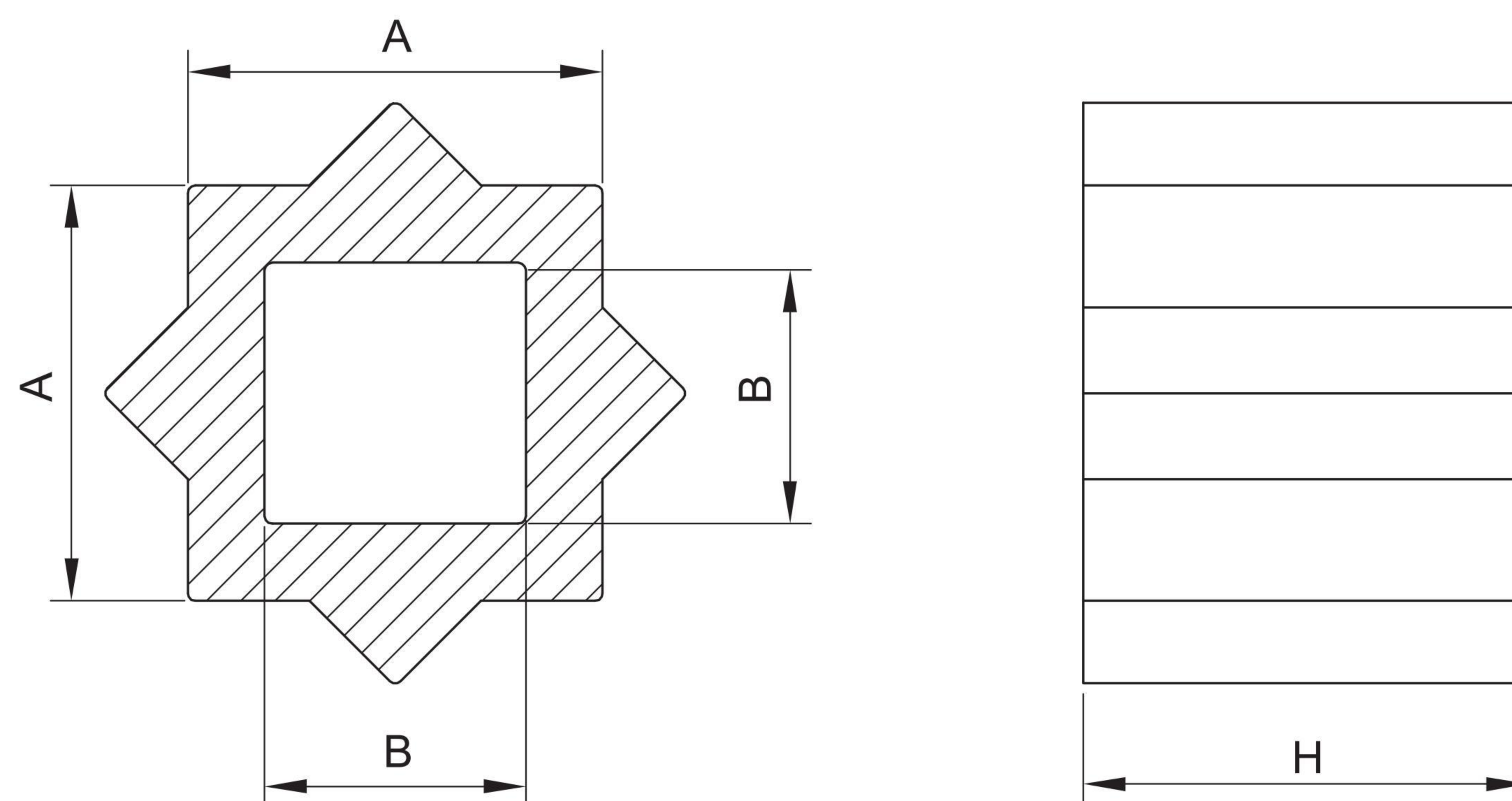
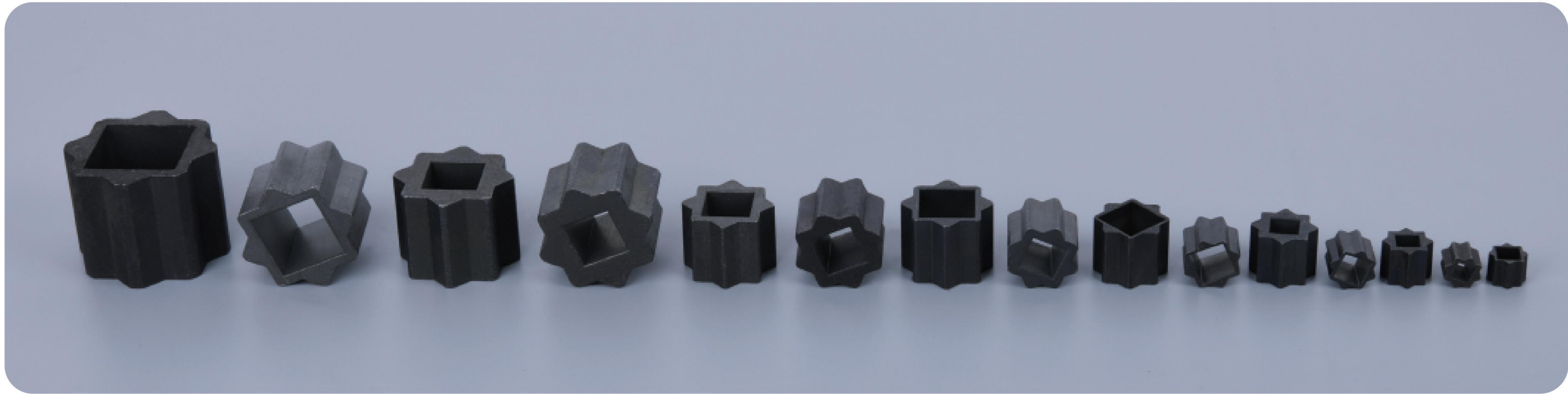
A Mounting hole position of actuator



B Mounting hole position of valve



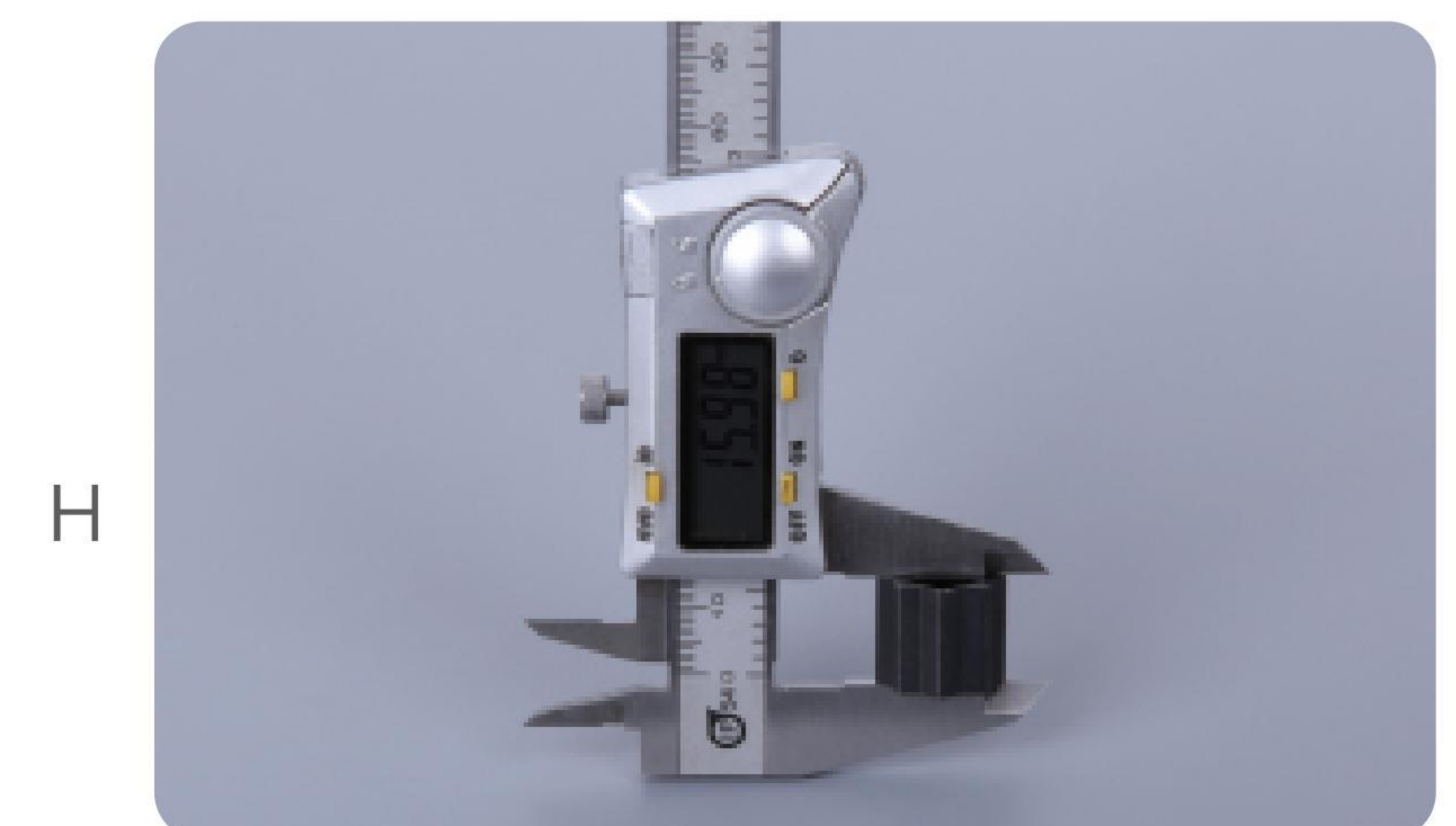
# Square And Adaptors



● 外八角是由两个正方形 45 度交叉组成。

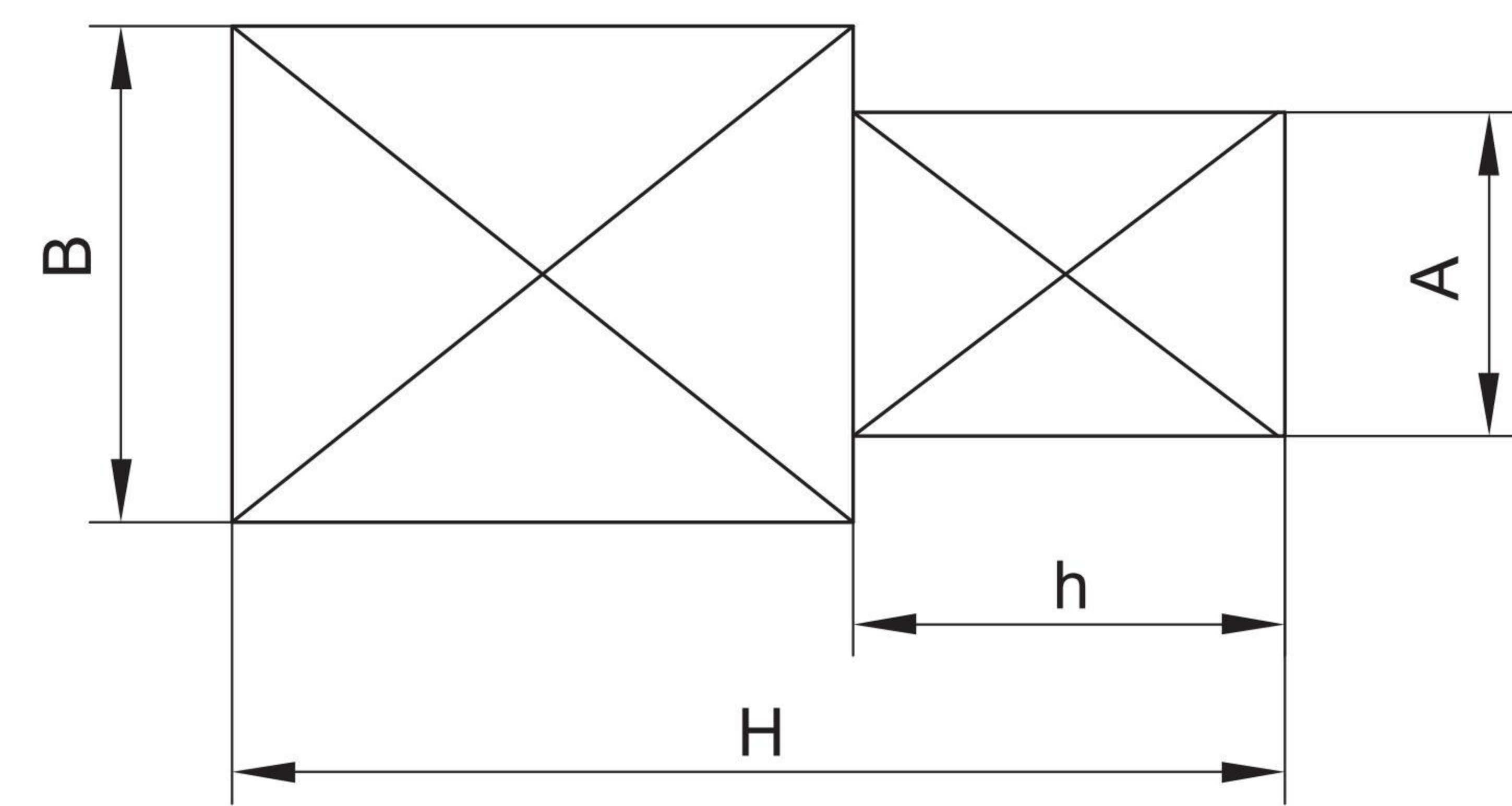
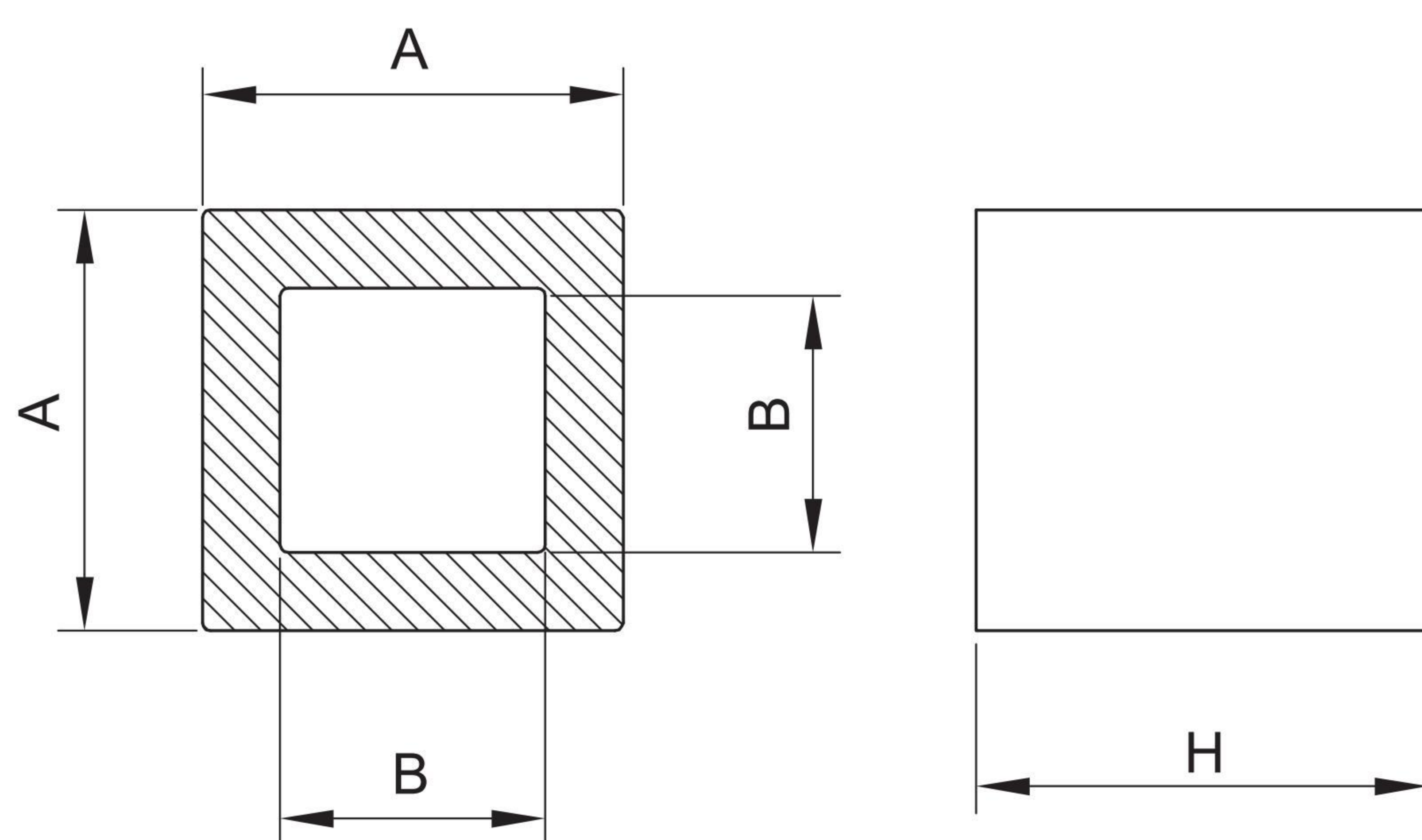
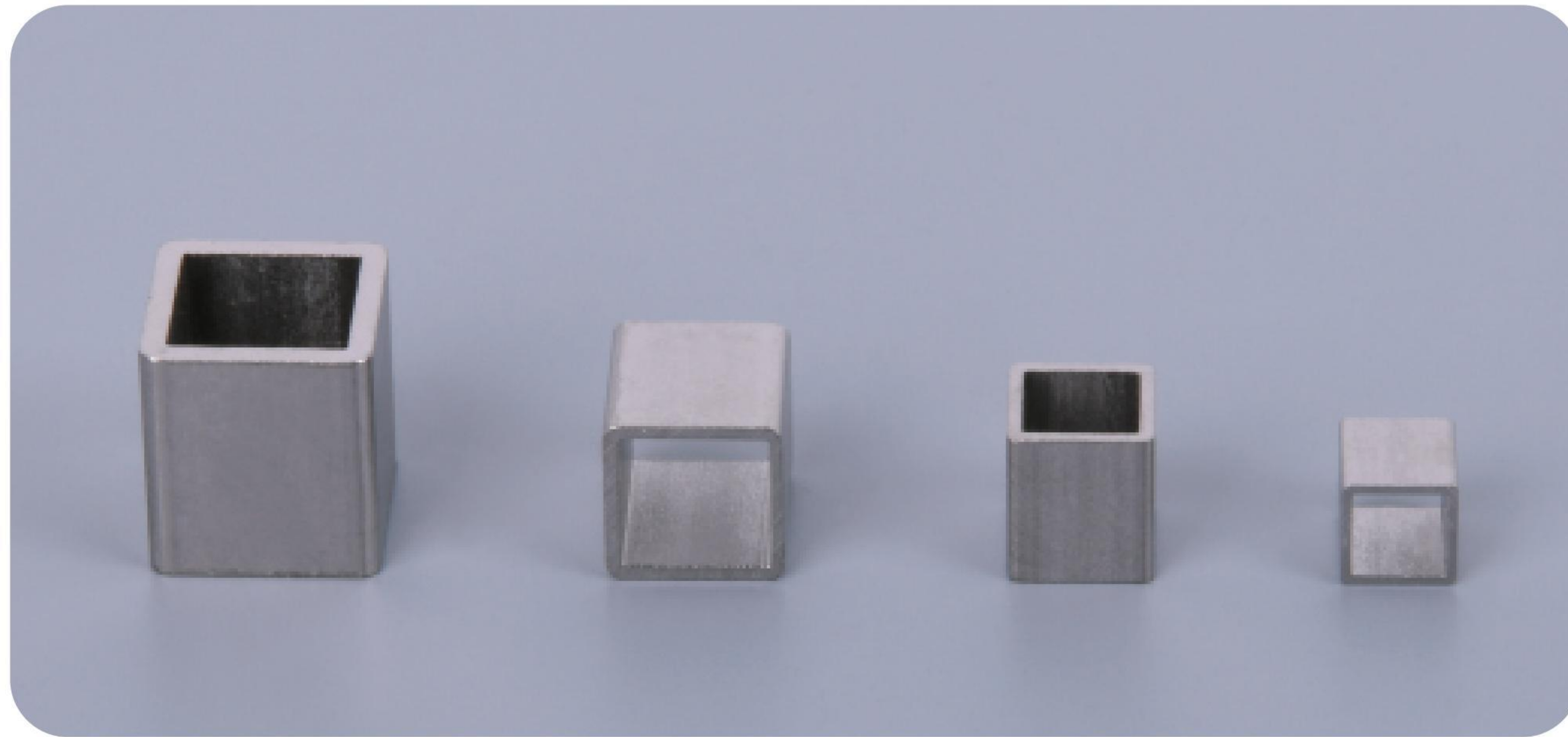
No.	Model (B x A x H)	H	A x A	B x B	Weight (Kg)
1	7 x 11 x 12	12	11 x 11	7 x 7	0.006
2	9 x 11 x 12	12	11 x 11	9 x 9	0.005
3	9 x 14 x 16	16	14 x 14	9 x 9	0.016
4	10 x 14 x 16	16	14 x 14	10 x 10	0.013
5	11 x 14 x 16	16	14 x 14	11 x 11	0.012
6	11 x 17 x 19	19	17 x 17	11 x 11	0.026
7	14 x 17 x 19	19	17 x 17	14 x 14	0.017
8	11 x 19 x 21	21	19 x 19	11 x 11	0.04
9	14 x 19 x 21	21	19 x 19	14 x 14	0.03
10	17 x 19 x 21	21	19 x 19	17 x 17	0.017
11	11 x 22 x 24	24	22 x 22	11 x 11	0.06
12	14 x 22 x 24	24	22 x 22	14 x 14	0.055
13	17 x 22 x 24	24	22 x 22	17 x 17	0.041
14	19 x 22 x 24	24	22 x 22	19 x 19	0.03
15	14 x 27 x 29	29	27 x 27	14 x 14	0.13
16	17 x 27 x 29	29	27 x 27	17 x 17	0.108
17	19 x 27 x 29	29	27 x 27	19 x 19	0.085
18	22 x 27 x 29	29	27 x 27	22 x 22	0.066
19	19 x 36 x 38	38	36 x 36	19 x 19	0.27
20	22 x 36 x 38	38	36 x 36	22 x 22	0.235
21	27 x 36 x 38	38	36 x 36	27 x 27	0.19
22	36 x 46 x 48	48	46 x 46	36 x 36	0.33

## Key dimension Selection





# Square And Adaptors



No.	Model (B x A x H)	H	A x A	B x B	Weight (Kg)
1	9 x 11 x 12	12	11 x 11	9 x 9	0.005
2	9 x 14 x 16	16	14 x 14	9 x 9	0.016
3	11 x 14 x 16	16	14 x 14	11 x 11	0.012
4	11 x 17 x 19	19	17 x 17	11 x 11	0.026
5	14 x 17 x 19	19	17 x 17	14 x 14	0.017
6	11 x 19 x 21	21	19 x 19	11 x 11	0.04
7	14 x 19 x 21	21	19 x 19	14 x 14	0.03
8	17 x 19 x 21	21	19 x 19	17 x 17	0.017
9	11 x 22 x 24	24	22 x 22	11 x 11	0.06
10	14 x 22 x 24	24	22 x 22	14 x 14	0.055
11	17 x 22 x 24	24	22 x 22	17 x 17	0.041
12	19 x 22 x 24	24	22 x 22	19 x 19	0.03
13	14 x 27 x 29	29	27 x 27	14 x 14	0.13
14	17 x 27 x 29	29	27 x 27	17 x 17	0.108
15	19 x 27 x 29	29	27 x 27	19 x 19	0.085
16	22 x 27 x 29	29	27 x 27	22 x 22	0.066
17	19 x 36 x 38	38	36 x 36	19 x 19	0.27
18	22 x 36 x 38	38	36 x 36	22 x 22	0.235
19	27 x 36 x 38	38	36 x 36	27 x 27	0.19
20	36 x 46 x 48	48	46 x 46	36 x 36	0.33

No.	Model (A x B)	H	h	A x A	B x B	Weight (Kg)
1	Raised 12 x Raised 14	29	12	12 x 12	14 x 14	0.04
2	Raised 15 x Raised 17	35	15	15 x 15	17 x 17	0.07
3	Raised 17 x Raised 23	45	22	17 x 17	23 x 23	0.14
4	Raised 22 x Raised 23	45	22	22 x 22	23 x 23	0.18
5	Raised 27 x Raised 30	55	30	27 x 27	30 x 30	0.33

## Key dimension Selection



H

A

B



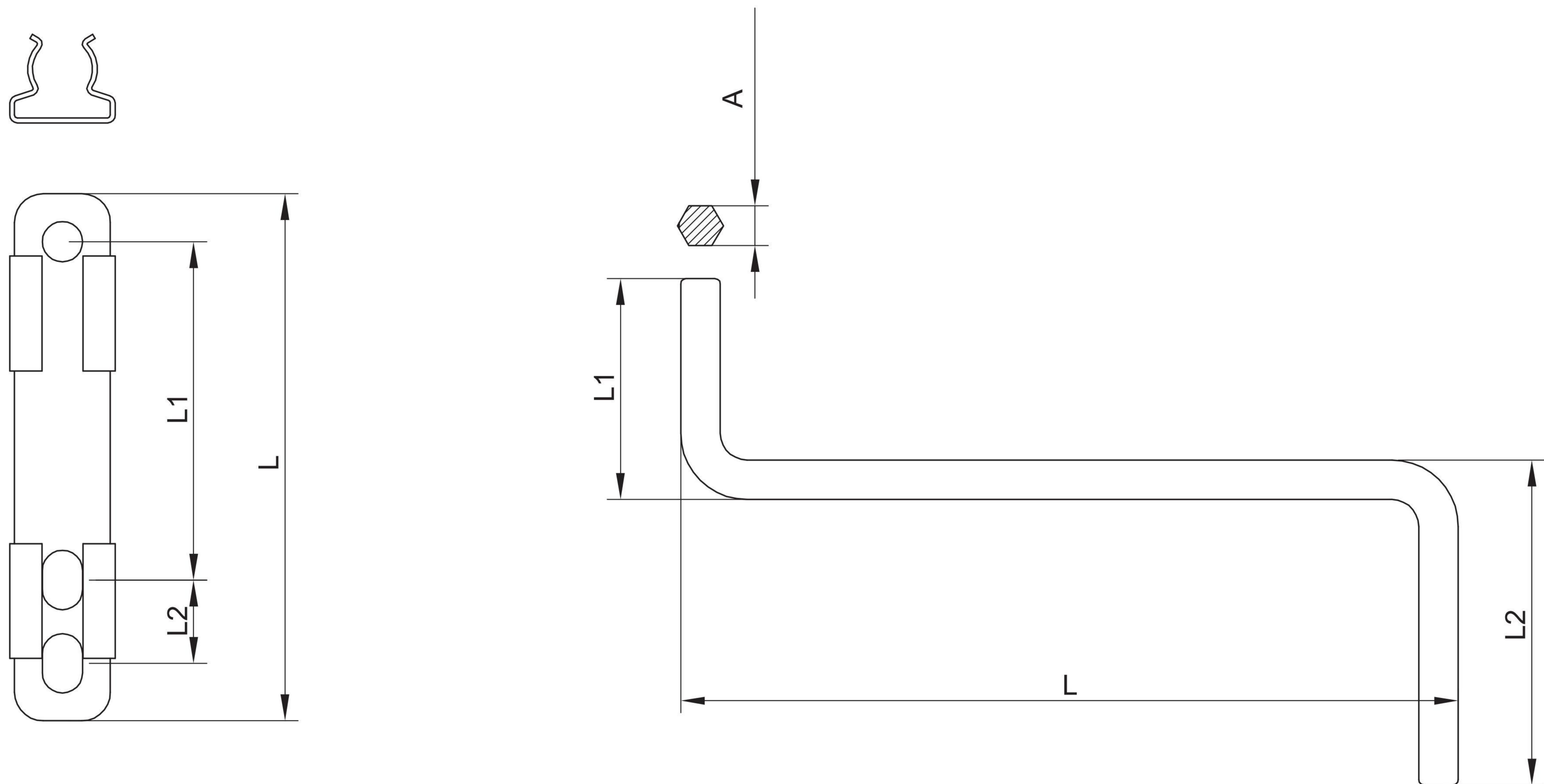
H

A

B



# Electric Actuator Hand Wrench And Wrench Clip

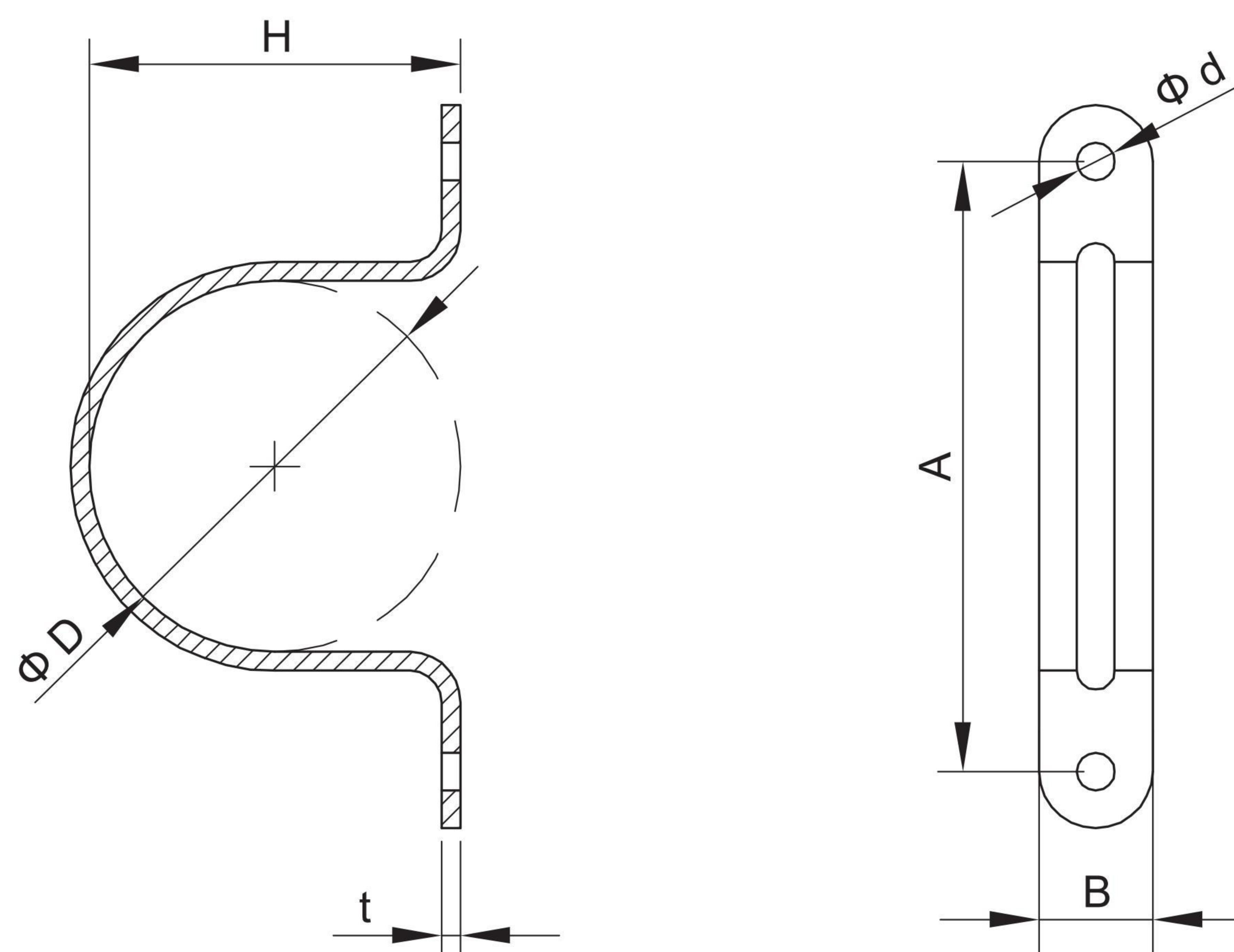


No.	Model	L	L1	L2	Kg
1	M6	50	30	8.7	0.003
2	M8	55	35	8.7	0.004
3	M10	60	37	8.7	0.006

No.	Model	L	L1	L2	A	Kg
1	M6	110	33	47	5	0.03
2	M8	120	33	53	6	0.05
3	M10	155	38	58	8	0.1



# Electric Actuator Hand Wrench And Wrench Clip



No.	Model ( $\phi D \times A$ )	Suitable for Pipe Model	H	t	$\phi D$	A	B	$\phi d$	Weight (kg)
1	10 x 25	DN10	10	0.6	10	25	12	4	0.3
2	12 x 30	DN12	12	0.6	12	30	12	4	0.3
3	14 x 35	DN14	14	0.6	14	35	12	4	0.35
4	16 x 40	DN16	16	0.6	16	40	18	6	0.6
5	20 x 45	DN20	20	0.6	20	45	18	6	0.65
6	25 x 55	DN25	25	0.6	25	55	18	6	0.8
7	32 x 60	DN32	32	0.6	32	60	18	6	1
8	40 x 70	DN40	40	0.6	40	70	18	6	1.1
9	50 x 85	DN50	50	0.6	50	85	18	6	1.25
10	60 x 100	DN60	60	0.6	60	100	18	6	1.5
11	70 x 110	DN70	70	0.6	70	110	18	6	2
12	80 x 120	DN80	80	0.6	80	120	18	6	2.1
13	90 x 125	DN90	90	0.6	90	125	18	6	2.3
14	100 x 135	DN100	100	0.6	100	135	18	6	2.4
15	110 x 145	DN110	110	0.6	110	145	18	6	2.7